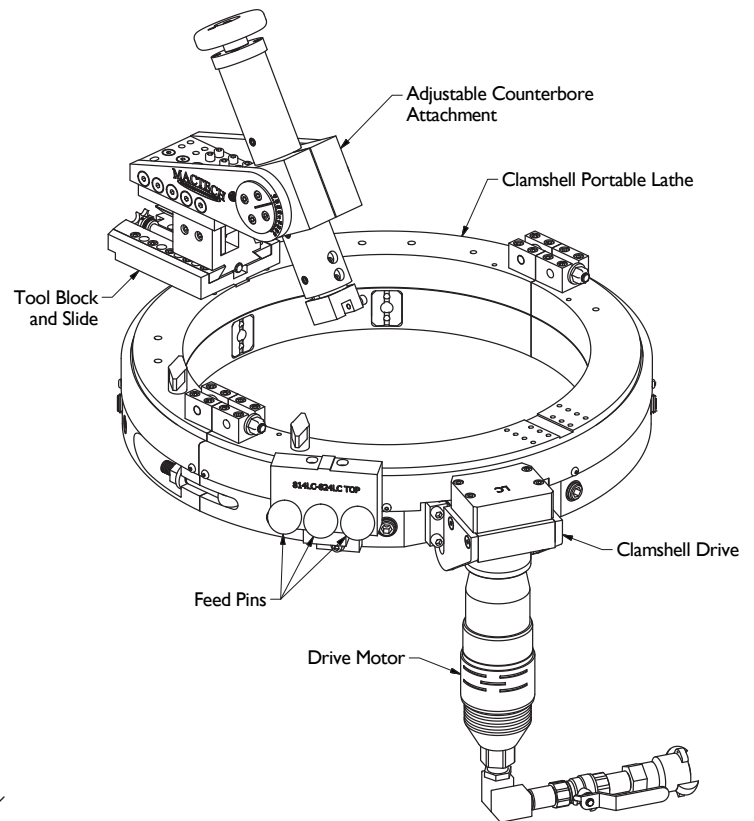


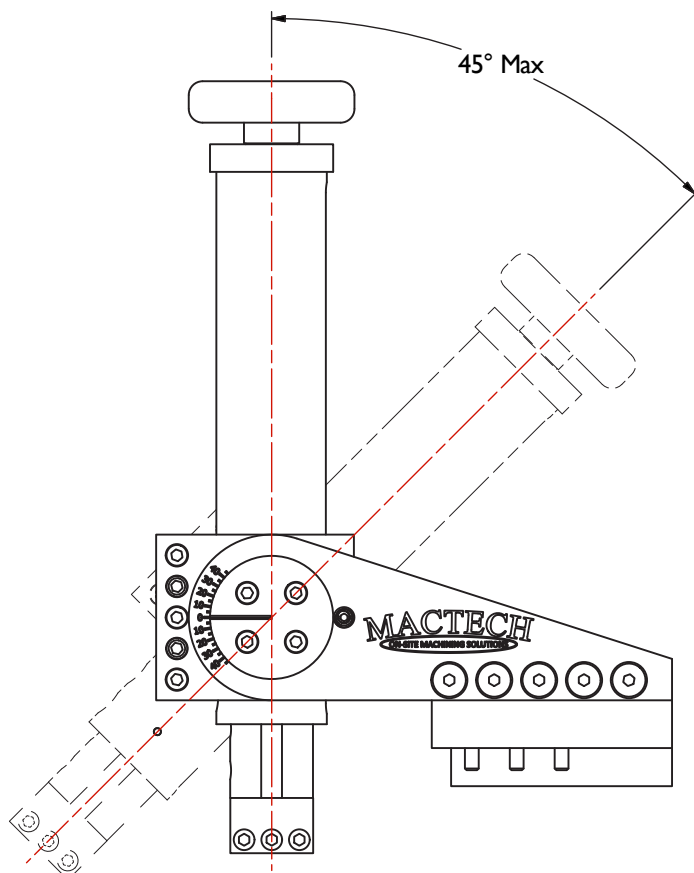
# 10 INCH ADJUSTABLE COUNTERBORE ATTACHMENT

MACTECH PORTABLE MACHINING SOLUTIONS

Introducing Mactech's new 10 inch Adjustable Counterbore Attachment for Mactech's popular line of Clamshell Portable Lathes. The versatility of your Clamshell Portable Lathe is greatly expanded with this tool. The Adjustable Counterbore Attachment provides a wide range of facing and machining capabilities not found in a single attachment tool. The Clamshell Lathe powers the feed across the machining face, and the manual feed moves the tool toward the face. Preset indexing tool positions allows for quick-setup RTJ machining and face feature machining. The 10 inch Adjustable Counterbore Attachment can be used on all Mactech Clamshell Portable Lathes.



**Clamshell Portable Lathe with  
10 inch Tilting Counterbore Attachment**



**Operating Angle**

## Capabilities

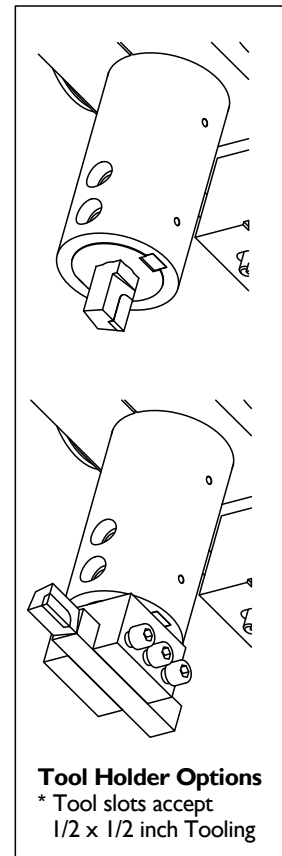
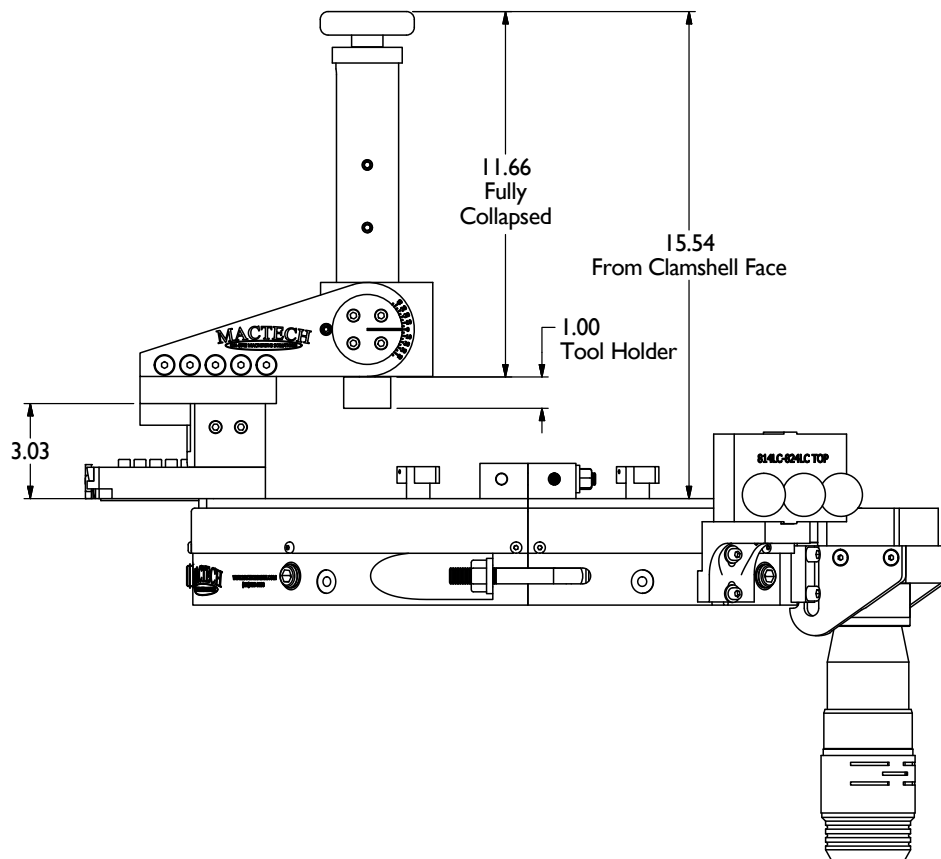
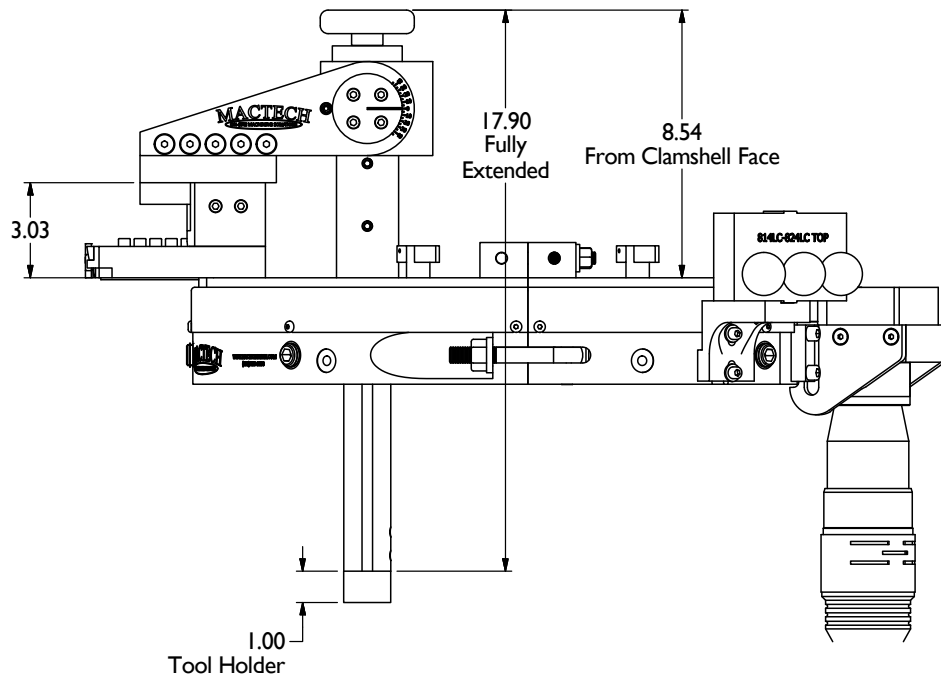
- Flange Facing
- Beveling
- Ring Joint machining
- Counterbore / Deep Counterbore
- Tapered Boring
- O-ring Groove machining
- Valve Seat machining

**MACTECH**  
ON-SITE MACHINING SOLUTIONS

Mactech, Inc. • 4079 Pepin Ave. • Red Wing, MN 55066  
PH: 651-388-7117 • TOLL FREE: 800-328-1488 • FAX: 651-388-0337  
[www.mactechonsite.com](http://www.mactechonsite.com)

# 10 INCH ADJUSTABLE COUNTERBORE ATTACHMENT

MACTECH PORTABLE MACHINING SOLUTIONS



Mactech, Inc. • 4079 Pepin Ave. • Red Wing, MN 55066  
PH: 651-388-7117 • TOLL FREE: 800-328-1488 • FAX: 651-388-0337  
[www.mactechonsite.com](http://www.mactechonsite.com)