

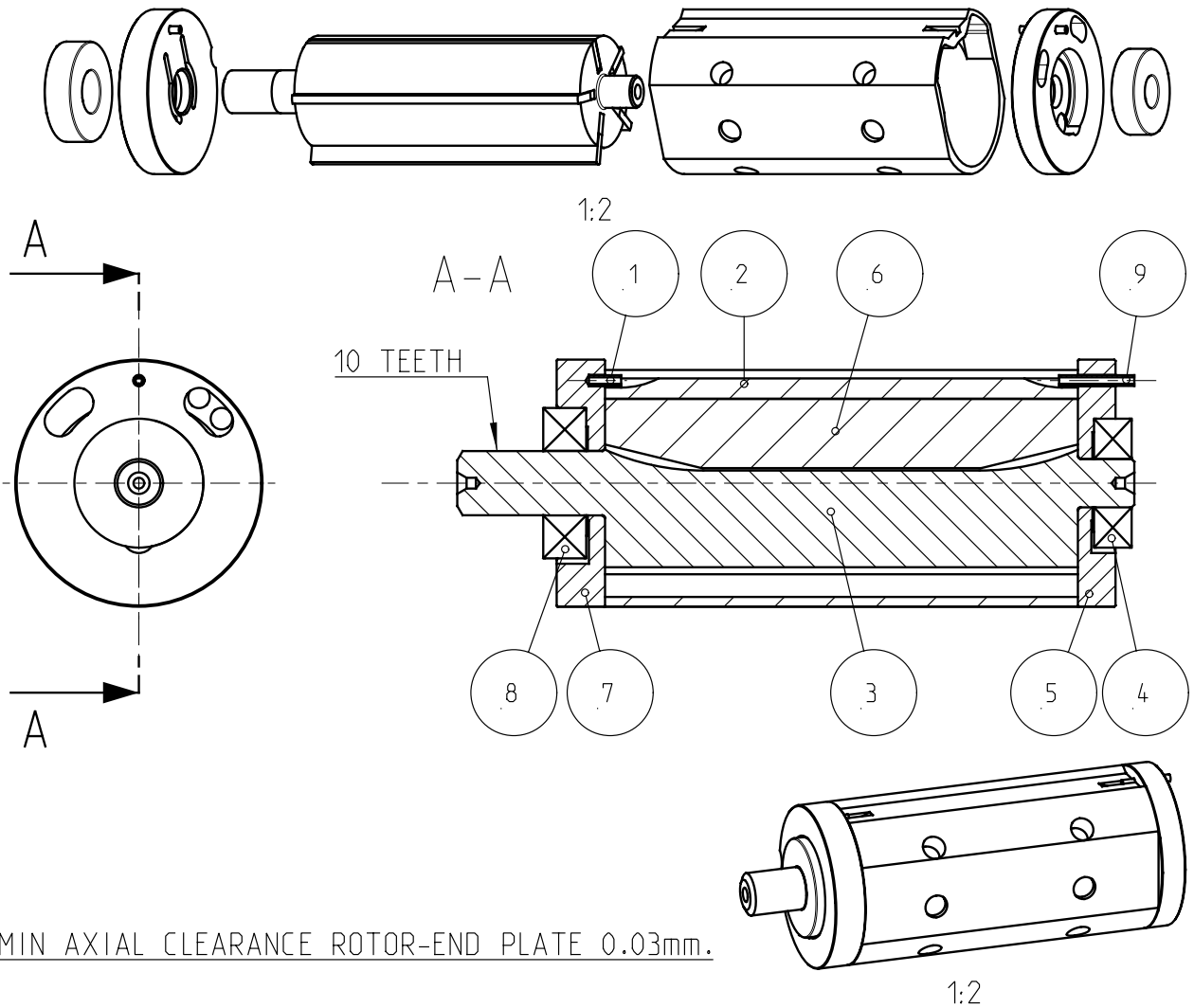
Rev.Ver 0.3

Rev.Ver 0.1

Model name 4430135482

Drawing name 4430135482

Note	Pos.	Modified from	Date	Intr.
0	-	-	-	-



Pos	Designation	Number	Name	Comment
9	0108 1146 00	1	SPRING PIN	FRP 2X14
8	0502 1209 00	1	BALL BEARING	SKF 6001-2Z
7	4430 1353 00	1	END PLATE	-
6	4430 1355 00	5	VANE	-
5	4430 1352 00	1	END PLATE	-
4	0502 1091 07	1	BALL BEARING	SKF 609-2Z
3	4430 1354 00	1	ROTOR	-
2	4430 1396 00	1	CYLINDER	A
1	0108 1142 00	1	SPRING PIN	FRP 2X6

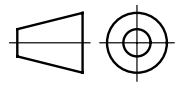
Tolerances, if not indicated, according to:	-	-	-	-	-
AC-STD	-	-	-	-	-

Name		MOTOR COMPL		LZB 66 A		Security class	
Material		-		-		1102 K/-	
						CAD Pro/E	
Scale		3:4		Format		A4	
Family		-		Compare		-	
Blank		-		Replaces		-	
Cons.class		1295 K/-		Rev		0	
Status		RELEASED		Designation		4430 1354 82	
Date		2007-05-22		Sheet 1 (1)			
Transferred from		-		Mass/Volume		-	

This document is our property and shall not without our permission be altered, copied, used for manufacturing or communicated to any other person or company.



Drawn A Hellestig



TOO