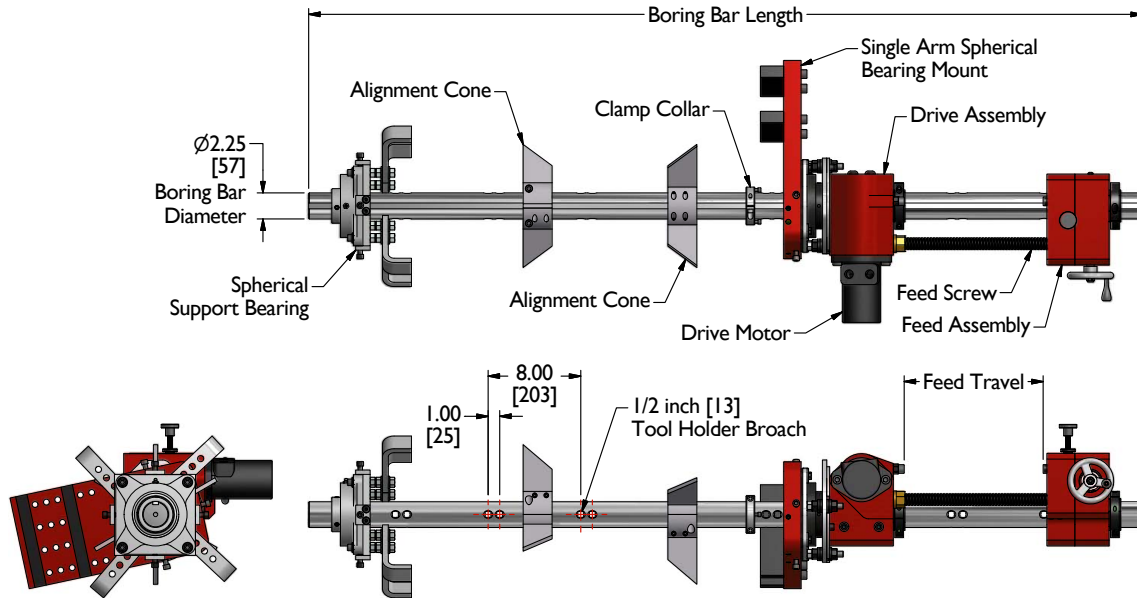


MACTECH

BB2250 BORING BAR COMPONENTS

MACTECHONSITE.COM



COMPONENTS

Boring Bar Diameter	2-1/4 inches	57 mm	Chrome-plated steel bar
Mounting Options	Single Arm, Dual Arm, ID Spider with spherical bearings		Aluminum body with steel weld plates
Alignment Cones	Fits bores 2-1/2 to 16 inches diameter	Fits bores 64 to 406 mm diameter	Aluminum body and alignment blades
Drive	6:1 gear reduction		Aluminum housing, precision steel components
Anti-rotation Bracket	Included		Steel

CAPABILITIES

Boring Range	2-1/2 to 16 inches diameter	64 to 406 mm diameter	
Boring Stroke	18 inch Feed Screw: 12 inches stroke	457 mm Feed Screw: 305 mm stroke	
	24 inch Feed Screw: 18 inches stroke	610 mm Feed Screw: 457 mm stroke	
Feed Rate	0 to 0.015 inches per revolution	0 to 0.4 mm per revolution	Infinitely variable, reversible
Drive Motors	Air, Hydraulic, and Electric motors available. See page 2.		

All dimensions and hydraulic requirements are for reference and may be subject to change without notice. Machine performance is subject to application and operator capability; please discuss your requirements directly with a Mactech sales representative. All information given and all sales made by Mactech Inc. are subject to their terms and conditions.

MACTECH INC.
4079 PEPIN AVE UNIT 4
RED WING MN 55066
800-328-1488
INFO@MACTECHONSITE.COM

MACTECH OFFSHORE
302 IDA ROAD
BROUSSARD LA 70518
337-839-2793
INFO@MACTECHOFFSHORE.COM

MACTECH KENTUCKY
3880 INDUSTRIAL DRIVE
PADUCAH KY 42001
270-442-1559
INFO@MACTECHONSITE.COM

MACTECH WISCONSIN
2515 CLEVELAND AVE
MARINETTE WI 54143
800-328-1488
INFO@MACTECHONSITE.COM

MACTECH INTERNATIONAL
CONTACT US FROM ANYWHERE
AROUND THE WORLD
337-839-2793
INFO@MACTECHOFFSHORE.COM

WORK HARD

WORK SAFE

WE BEFORE ME

WELCOME CHALLENGES

WOW THEM

MACTECH

BB2250

BORING BAR COMPONENTS

MACTECHONSITE.COM

DRIVE MOTORS

Drive	Horsepower / Watts / Voltage	Max Bar RPM	Max Continuous Torque
Air Motor* 605-6762	3.9 hp / 3000w	116 rpm	162 ft-lbs / 220 Nm
Hydraulic Motor** 600-6763	3.4 hp	83 rpm	68 ft-lbs / 92 Nm
Electric Motor 600-6655	3 hp / 2200w / 220V	13/95 rpm	182/25 ft-lbs / 247/34 Nm
Electric Motor 600-6657	3 hp / 2200w / 110V	13/95 rpm	182/25 ft-lbs / 247/34 Nm

* Air motors require 100 cfm @ 100 psi air supply (2.8 m³/min @ 6.9 bar)

** Hydraulic motor performance is based on 8 gpm @ 1000 psi hydraulic power supply (30 lpm @ 69 bar)

All dimensions and hydraulic requirements are for reference and may be subject to change without notice. Machine performance is subject to application and operator capability; please discuss your requirements directly with a Mactech sales representative. All information given and all sales made by Mactech Inc. are subject to their terms and conditions.

MACTECH INC.
4079 PEPIN AVE UNIT 4
RED WING MN 55066
800-328-1488
INFO@MACTECHONSITE.COM

MACTECH OFFSHORE
302 IDA ROAD
BROUSSARD LA 70518
337-839-2793
INFO@MACTECHOFFSHORE.COM

MACTECH KENTUCKY
3880 INDUSTRIAL DRIVE
PADUCAH KY 42001
270-442-1559
INFO@MACTECHONSITE.COM

MACTECH WISCONSIN
2515 CLEVELAND AVE
MARINETTE WI 54143
800-328-1488
INFO@MACTECHONSITE.COM

MACTECH INTERNATIONAL
CONTACT US FROM ANYWHERE
AROUND THE WORLD
337-839-2793
INFO@MACTECHOFFSHORE.COM

WORK HARD

WORK SAFE

WE BEFORE ME

WELCOME CHALLENGES

WOW THEM