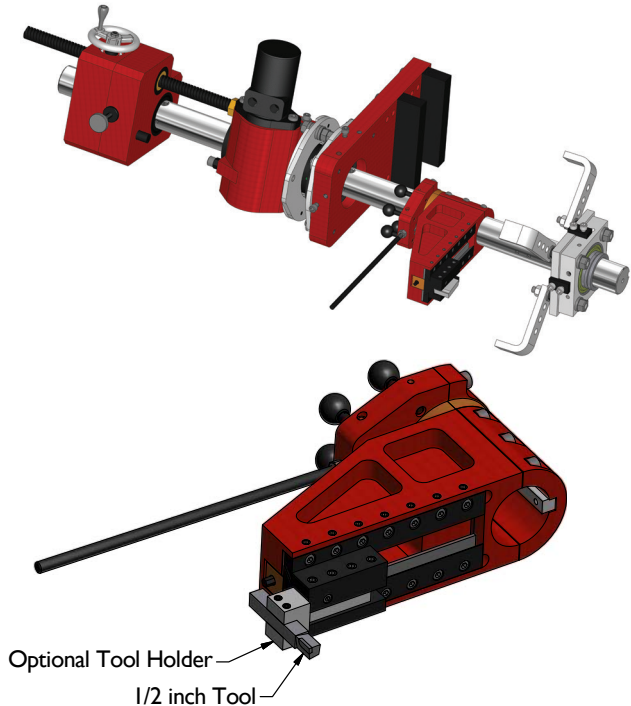
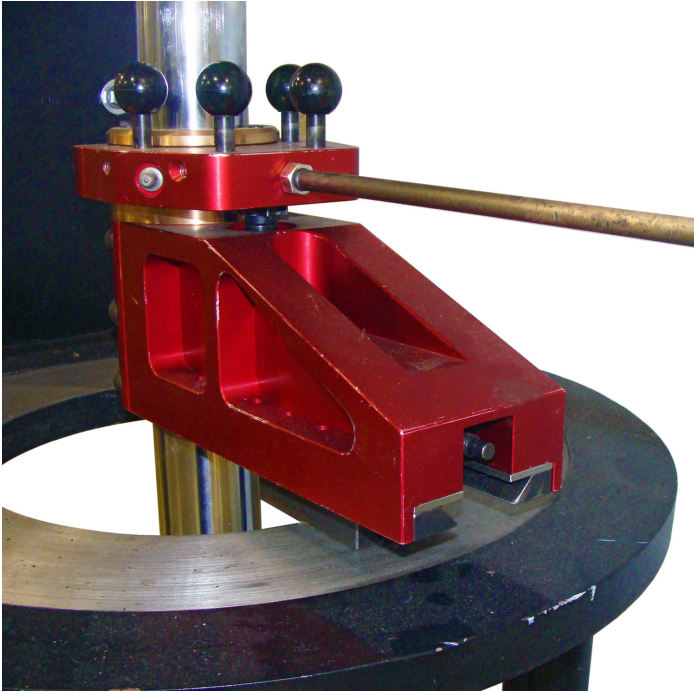


MACTECH

BB2250 FACING ARM ACCESSORY

MACTECHONSITE.COM



PRODUCT DESCRIPTION: PART # 605-4014

Mactech's BB2250 Facing Arm Accessory is a useful attachment for the versatile and popular BB2250 Boring Bar system. Use for flange face machining, or complete your bore facing all from one easy setup. The broad machining range and ease of setup gives you the time-saving tool you need to complete your machining quickly and efficiently. The adjustable feed rate allows maximum user control of the facing operation. An optional tool holder accepts standard 1/2 inch tooling. Self-centering boring bar cones and spherical support bearings help make your setup simple and accurate. For one easy solution to your flange facing and bore facing applications, look to Mactech's BB2250 Flange Facer attachment.

FEATURES

- DESIGNED FOR USE WITH MACTECH'S VERSATILE BB2250 BORING BAR
- 2-3/4" TO 17-1/2" DIAMETER FACING CAPABILITY
- 4-3/8" TOOL TRAVEL
- USES 1/2" TOOLING
- QUICK AND EASY SETUP AND OPERATION
- COARSE TO FINE FINISH, UP TO 125 RA
- HYDRAULIC OR AIR POWERED

MACTECH INC.
4079 PEPIN AVE UNIT 4
RED WING MN 55066
800-328-1488
INFO@MACTECHONSITE.COM

MACTECH OFFSHORE
302 IDA ROAD
BROUSSARD LA 70518
337-839-2793
INFO@MACTECHOFFSHORE.COM

MACTECH KENTUCKY
3880 INDUSTRIAL DRIVE
PADUCAH KY 42001
270-442-1559
INFO@MACTECHONSITE.COM

MACTECH WISCONSIN
2515 CLEVELAND AVE
MARINETTE WI 54143
800-328-1488
INFO@MACTECHONSITE.COM

MACTECH INTERNATIONAL
CONTACT US FROM ANYWHERE
AROUND THE WORLD
337-839-2793
INFO@MACTECHOFFSHORE.COM

WORK HARD

WORK SAFE

WE BEFORE ME

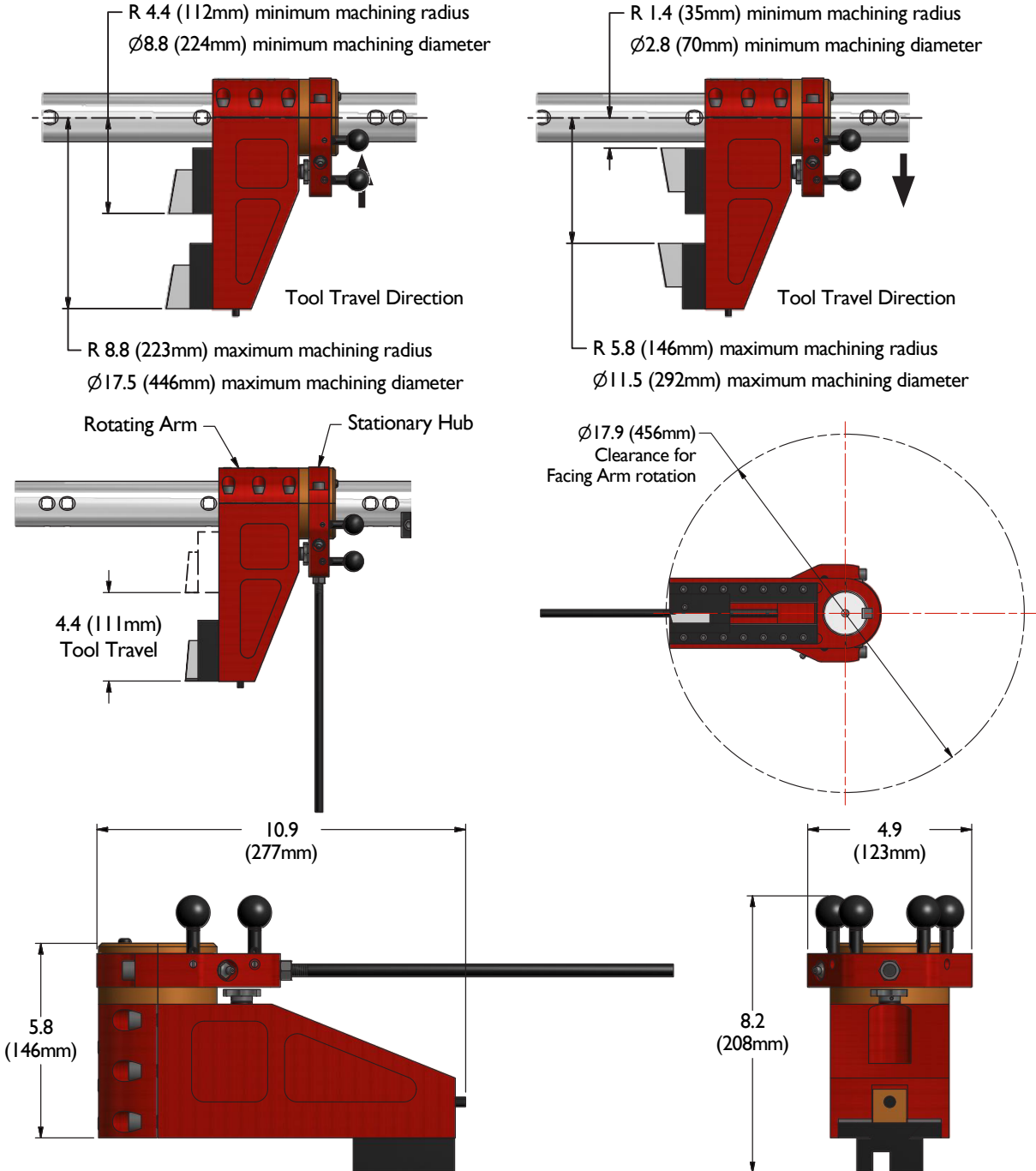
WELCOME CHALLENGES

WOW THEM

MACTECH

BB2250 FACING ARM ACCESSORY

MACTECHONSITE.COM



All dimensions and hydraulic requirements are for reference and may be subject to change without notice. Machine performance is subject to application and operator capability; please discuss your requirements directly with a Mactech sales representative. All information given and all sales made by Mactech Inc. are subject to their terms and conditions.

MACTECH INC.
4079 PEPIN AVE UNIT 4
RED WING MN 55066
800-328-1488
INFO@MACTECHONSITE.COM

MACTECH OFFSHORE
302 IDA ROAD
BROSSARD LA 70518
337-839-2793
INFO@MACTECHOFFSHORE.COM

MACTECH KENTUCKY
3880 INDUSTRIAL DRIVE
PADUCAH KY 42001
270-442-1559
INFO@MACTECHONSITE.COM

MACTECH WISCONSIN
2515 CLEVELAND AVE
MARINETTE WI 54143
800-328-1488
INFO@MACTECHONSITE.COM

MACTECH INTERNATIONAL
CONTACT US FROM ANYWHERE
AROUND THE WORLD
337-839-2793
INFO@MACTECHOFFSHORE.COM

WORK HARD

WORK SAFE

WE BEFORE ME

WELCOME CHALLENGES

WOW THEM