

# BUSHING DATA SHEET



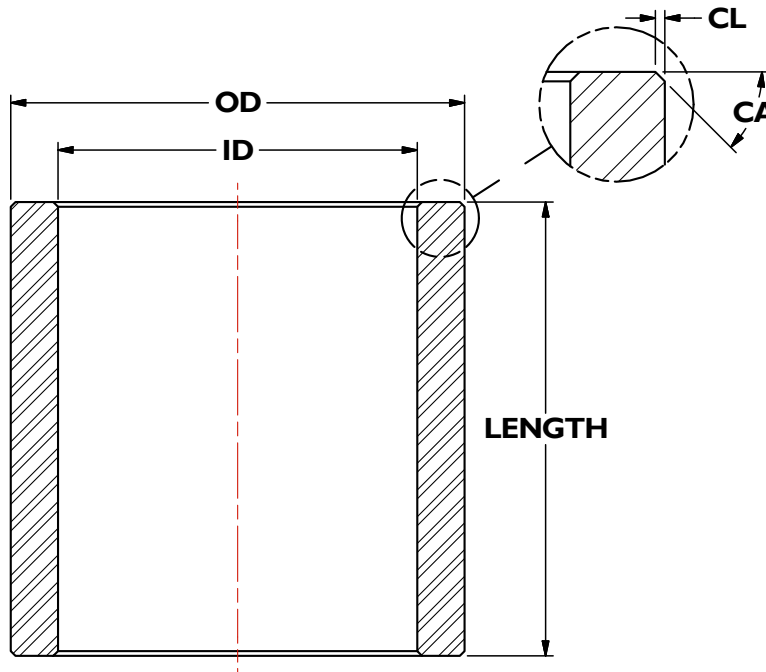
Customer: \_\_\_\_\_

Job Number: \_\_\_\_\_

Date Required: \_\_\_\_\_

Onsite Data Collected By: \_\_\_\_\_

BUSHING REQUIREMENTS		BUSHING FINAL INSPECTION	
Material		<i>Inspect the bushing and complete this section to verify dimensions</i>	
ID (Inside Diameter)	+/-	ID (Inside Diameter)	
OD (Outside Diameter)	+/-	OD (Outside Diameter)	
Length	+/-	Length	
CA (Chamfer Angle)		CA (Chamfer Angle)	
CL (Chamfer Length)		CL (Chamfer Length)	
		Inspected By	



Location: \_\_\_\_\_

Notes: \_\_\_\_\_

