

# FLANGE FACING DATA SHEET

Complete this form and return to Mactech, Inc.  
 Attach all blueprints and supporting documentation to this sheet.

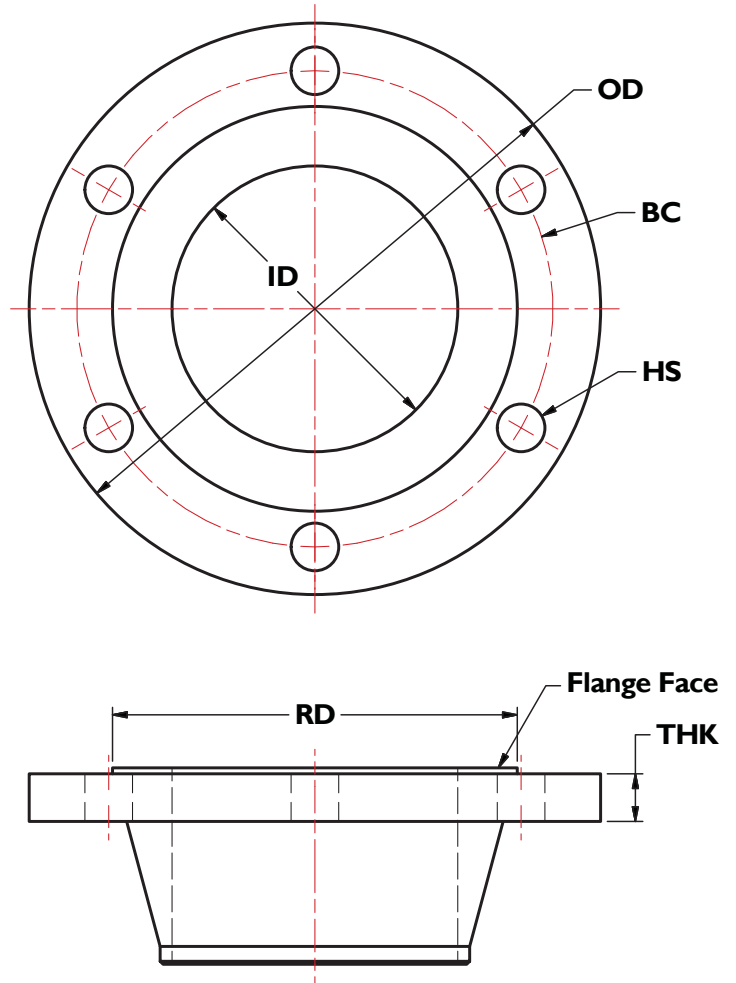


Given By: \_\_\_\_\_ Date: \_\_\_\_\_ Plant: \_\_\_\_\_

Checked By: \_\_\_\_\_ Date: \_\_\_\_\_ Work Order No.: \_\_\_\_\_

Site Contact: \_\_\_\_\_ Site Contact No.: \_\_\_\_\_

FLANGE DATA	
Flange Diameter (OD)	
Bore Diameter (ID)	
Flange Thickness (THK)	
Bolt Circle (BC)	
Hole Size (HS)	
Gasket Surface/Raised Face Diameter (RD)	
Required Surface Finish	<input type="checkbox"/> 250 RMS <input type="checkbox"/> 125 RMS <input type="checkbox"/> 63 RMS <input type="checkbox"/> Other
Type of Gasket Surface	
Ring Joint Gasket Number	
Flatness	
Distance to nearest obstruction from OD	
Distance to nearest obstruction from Flange Face	
Machine Position	<input type="checkbox"/> Vertical <input type="checkbox"/> Horizontal
Flange Material	



## Special Instructions:

\_\_\_\_\_  
 \_\_\_\_\_

## Customer Field Representative Acknowledgement

Signature: \_\_\_\_\_ Date: \_\_\_\_\_

