

HOLE DRILLING DATA SHEET

Complete this form and return to Mactech, Inc.
 Attach all blueprints and supporting documentation to this sheet.

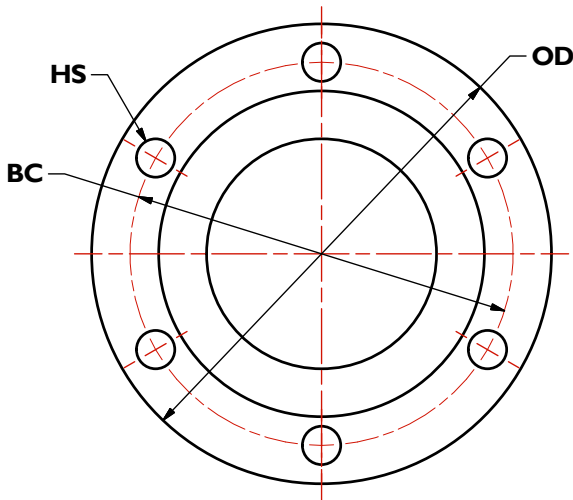
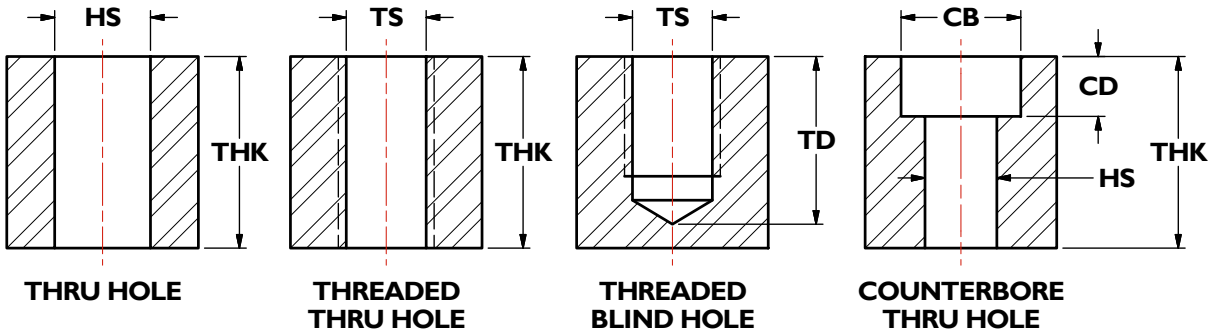


Given By: _____ Date: _____ Plant: _____

Checked By: _____ Date: _____ Work Order No.: _____

Site Contact: _____ Site Contact No.: _____

HOLE DATA			
Number of Holes		Hole Oversize	
Hole Size (HS)		Bolt Circle (BC)	
Thread Size (TS)		Flange Diameter (OD)	
Tap Drill Depth (TD)		Flange Bore Diameter	
Counterbore Size (CS)		Flange Thickness	
Counterbore Depth (CD)		Stud Material	
Distance between Holes		Flange Material	



Special Instructions:

Note details of obstructions:

Customer Field Representative Acknowledgement

Signature: _____ Date: _____

