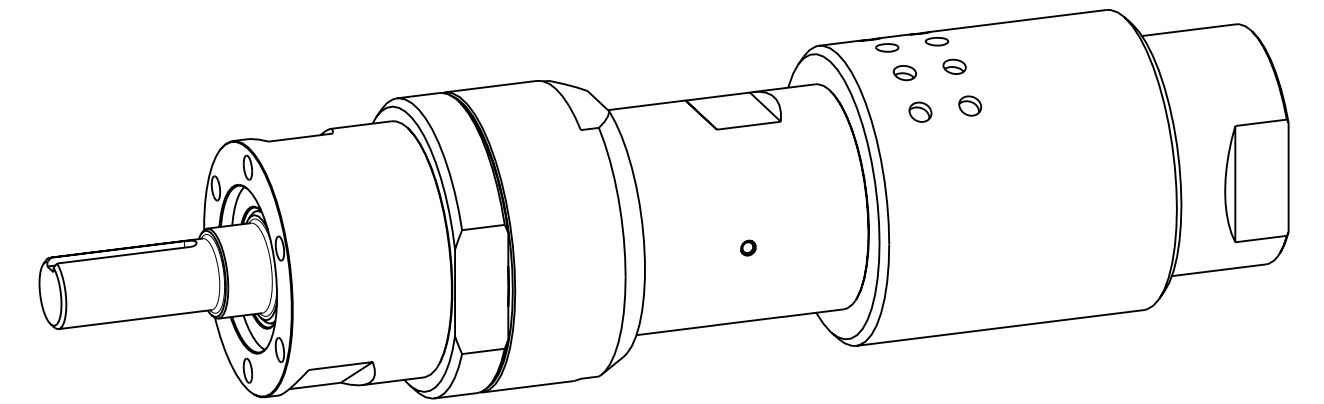
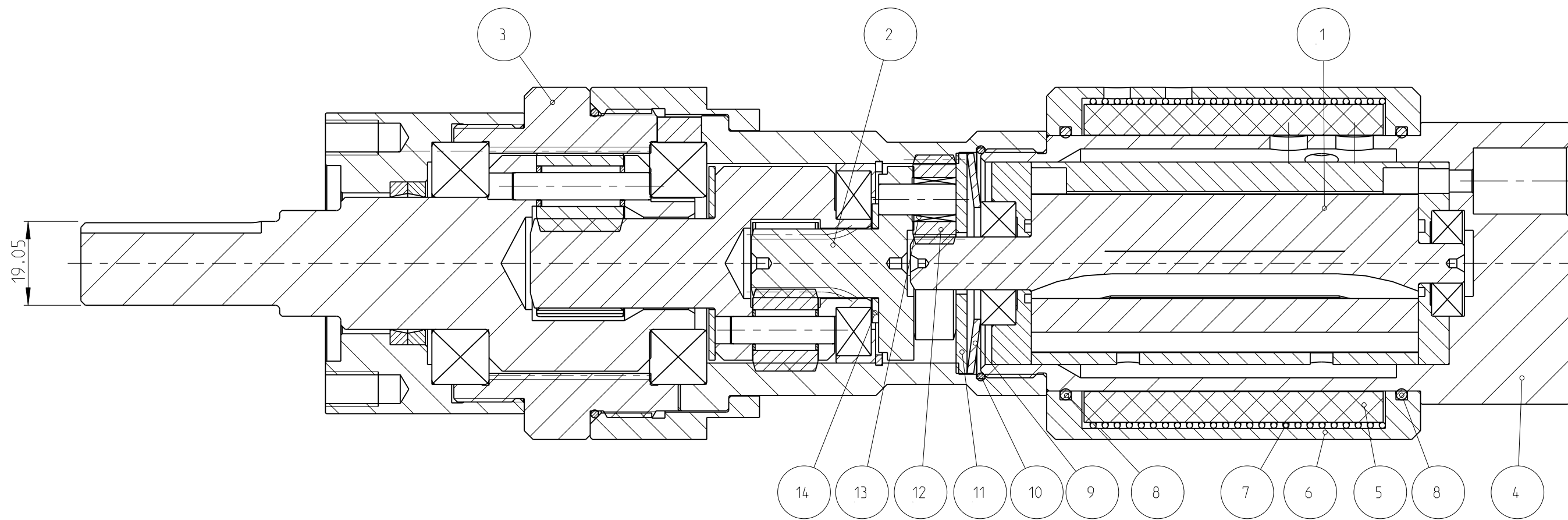
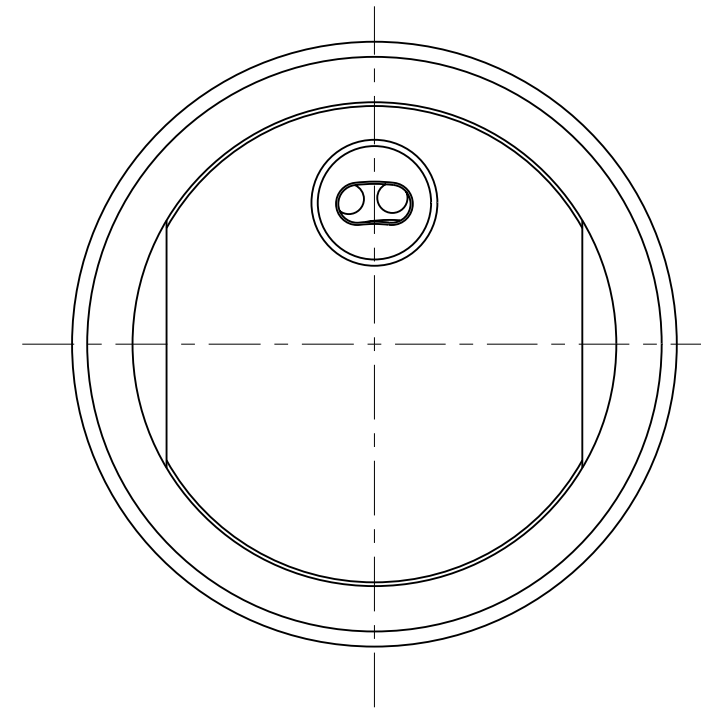


Model name: LZB66_A0025 Rev: 0.0+
 Drawing name: LZB66_A0025 Rev: 0.0+



TIGHTENING TORQUE	
POS 4 AGAINST POS 3	60 Nm

TESTING: PY XXXX
 LUBRICATION: PZ 3579
 MARKING: PZ 3820



Pos	Designation	Number	Name	Comment
14	4430 0557 00	1	WASHER	16x27x1.5
13	0515 0413 00	3	NEEDLE CARRIER	K 7X10X10 TN
12	4210 2222 00	3	GEAR WHEEL	-
11	4430 0555 00	1	WASHER	-
10	0663 2102 43	1	O-RING	49.8x1.8 NITRIL
9	0384 3000 16	1	DISC SPRING	50x25.4x1.5
8	0663 2113 54	2	O-RING	57x2.5 0013 3930 90
7	4430 1450 00	1	NET	-
6	4430 1394 00	1	EXHAUST CASING	-
5	4430 1395 00	1	SILENCER	-
4	4430 1393 00	1	CASING	-
3	4430 0565 87	1	PLANETARY GEAR WITH IR FLANGE	- COMPL.
2	4210 2223 80	1	PLANETARY GEAR, COMPL	-
1	4430 1354 82	1	MOTOR COMPL	-

Tolerances, if not indicated, according to:	-	-	-	-	-
AC-STD	-	-	-	-	-

Name	VANE MOTOR LZB 66 A0017-50		LZB 66 A	Secretcy class	
Material	RATIO: 5.7 x 4.62 x 4.09		1102 K/-	CAO	Pro/E
Scale	1:1	Format	A2	Family	-
Drawn	A Hellestig	Blank	-	Replaces	-
Cons.class	1295 K/-	Rev	0	Status	Design
Transferred from	-	Mass/Volume	-	Date	2007-05-22
				Designation	8411 0600 26
				Sheet	1 (1)

This document is our property and shall not without our permission be altered, copied, used for manufacturing or communicated to any other person or company.

Note	Pos.	Modified from	Date	Intr.
0	-	-	-	-