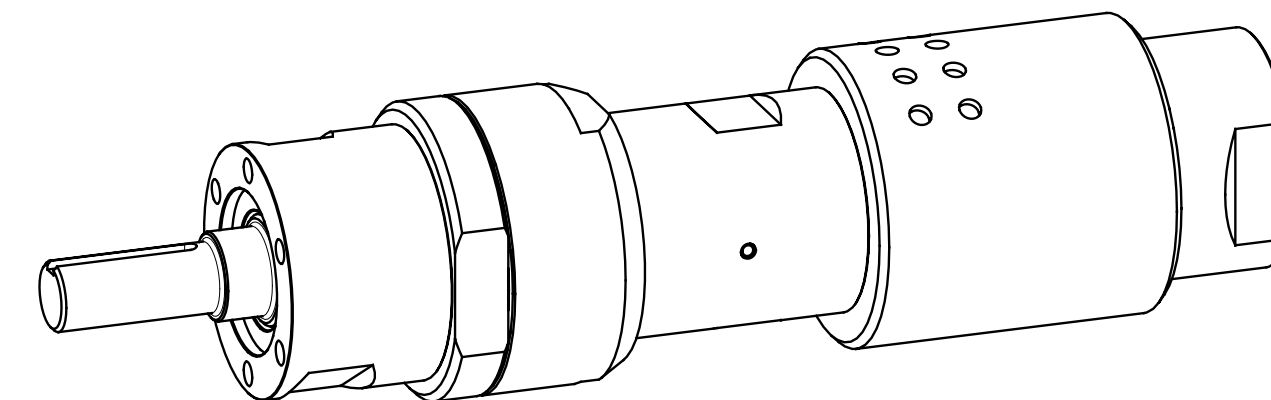
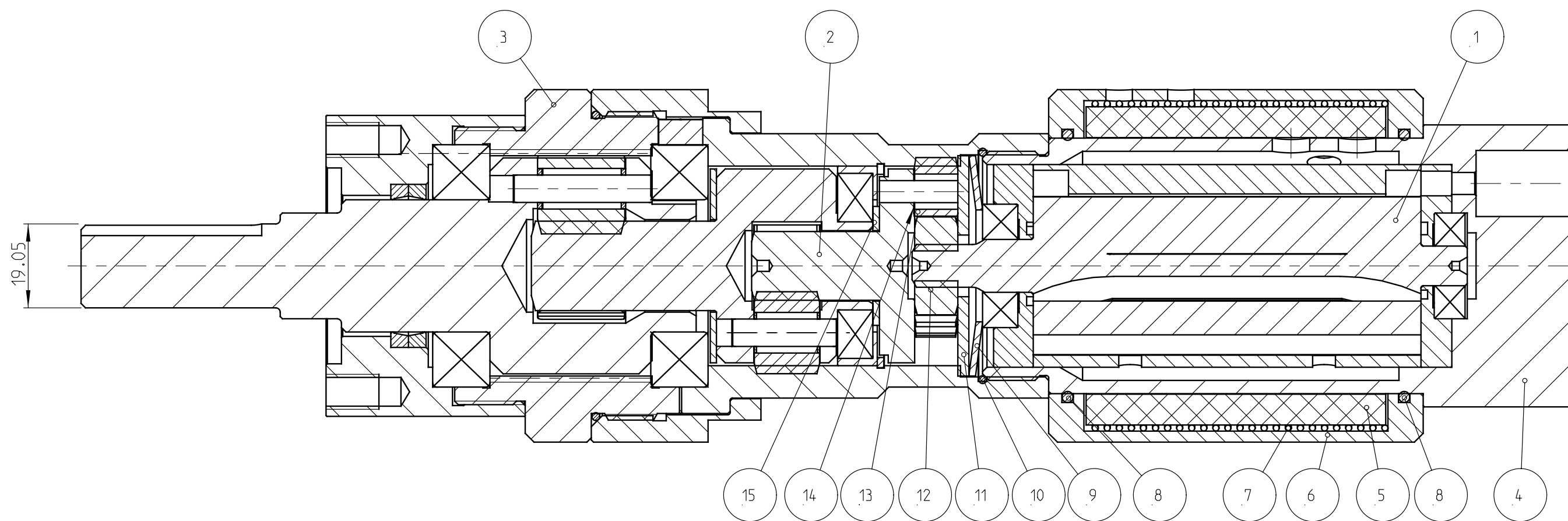
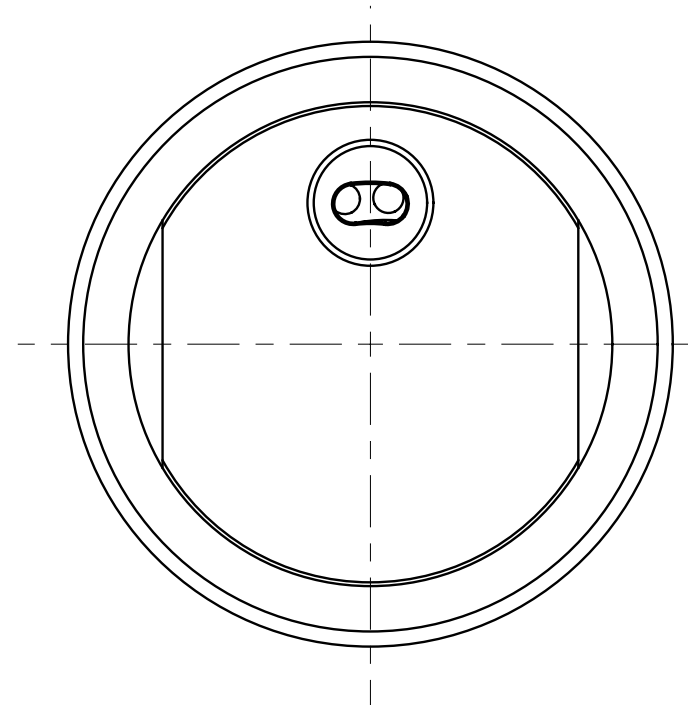


Model name: 8411060018 Rev: 0.4  
 Drawing name: 8411060018 Rev: 0.4



TIGHTENING TORQUE	
POS 4 AGAINST POS 3	60 Nm

TESTING: PY XXXX  
 LUBRICATION: PZ 3579  
 MARKING: PZ 3820



Pos	Designation	Number	Name	Comment
15	4430 0557 00	1	WASHER	16x27x1.5
14	0515 1103 01	3	NEEDLE CARRIER	K5x8x10 TN
13	4210 0647 00	3	GEAR WHEEL	z=13 m=1
12	4210 2167 00	1	GEAR WHEEL	z=19/7
11	4430 0555 00	1	WASHER	-
10	0663 2102 43	1	O-RING	49.8x1.8 NITRIL
9	0384 3000 16	1	DISC SPRING	50x25.4x1.5
8	0663 2113 54	2	O-RING	57x2.5 0013 3930 90
7	4430 1450 00	1	NET	-
6	4430 1394 00	1	EXHAUST CASING	-
5	4430 1395 00	1	SILENCER	-
4	4430 1393 00	1	CASING	-
3	4430 0565 87	1	PLANETARY GEAR WITH IR FLANGE	COMPL.
2	4210 2225 81	1	PLANETARY GEAR, COMPL	-
1	4430 1375 82	1	MOTOR COMPL.	-

Tolerances, if not indicated, according to:	-	-	-	-	-
AC-STD	-	-	-	-	-

Name	VANE MOTOR LZB 66 A0025-50		LZB 66 A	Security class	-
Material	RATIO: 3.47 x 4.62 x 4.09		1102 K/-	Pro/E	
Scale	1:1	Format	A2	Family	-
Drawn	A Helleslig	Blank	-	Replaces	-
Cons.class	1295 K/-	Rev	0	Status	-
Transferred from	-	Mass/Volume	-	Date	2007-04-27
Designation	8411 0600 18		Sheet 1 (1)		

This document is our property and shall not without our permission be altered, copied, used for manufacturing or communicated to any other person or company.

Note	Pos.	Modified from	Date	Intr.
0	-	-	-	-

Preproduction 00.04