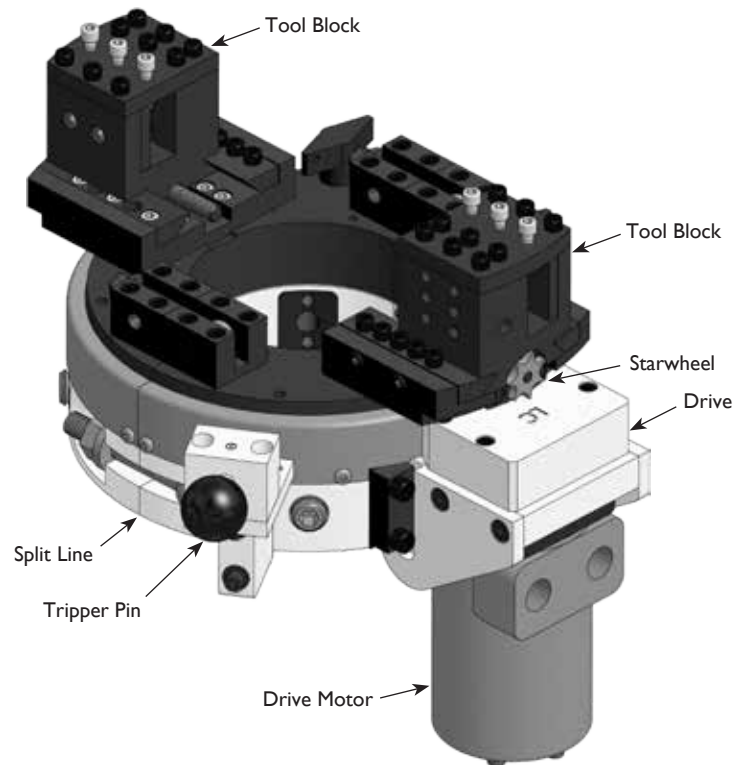


804LC CLAMSHELL LATHE

MACTECH PORTABLE MACHINING SOLUTIONS

Features

- Sever or simultaneous Sever/Bevel NPS 2 to NPS 4 schedule pipe.
- Cold cutting in hazardous environments.
- Exceptionally rigid, split-frame for precise on-site machining.
- Lightweight, low clearance design for easy handling in tight working spaces.
- Tool Holder accepts standard 3/4 or 1 inch tool bits.
- Air Caddy (air filter and oiler) included with air drive systems.
- Custom setups and drives available for your application.



804LC Clamshell Lathe

804LC Nominal Pipe Size (NPS) Application Range

Nominal Pipe Size (in.)	Schedule No.	Wall Thickness (in.)	Inside Diameter (in.)	Nominal Pipe Size (in.)	Schedule No.	Wall Thickness (in.)	Inside Diameter (in.)
2 (2.375)	5S	0.065	2.245	3 1/2 (4.000)	5S	0.083	3.834
	10S	0.109	2.157		10S	0.120	3.760
	40ST, 40S	0.154	2.067		40ST, 40S	0.226	3.548
	80XS, 80S	0.218	1.939		80XS, 80S	0.318	3.364
	160	0.344	1.687				
	XX	0.436	1.503				
2 1/2 (2.875)	5S	0.083	2.709	4 (4.500)	5S	0.083	4.334
	10S	0.120	2.635		10S	0.120	4.260
	40ST, 40S	0.203	2.469		40ST, 40S	0.237	4.026
	80XS, 80S	0.276	2.323		80XS, 80S	0.337	3.826
	160	0.375	2.125		120	0.438	3.624
	XX	0.552	1.771	160	0.531	3.438	
				XX	0.674	3.152	
3 (3.500)	5S	0.083	3.334				
	10S	0.120	3.260				
	40ST, 40S	0.216	3.068				
	80XS, 80S	0.300	2.900				
	160	0.438	2.624				
	XX	0.600	2.300				

Application Range

2.38 to 4.50 inch (60 to 114 mm) diameter pipe, NPS 2 to 4

Feed

Feed Mechanism: 7 point starwheel and tripper
Feed Rate: .004 inch (0.09 mm) per revolution

Drives

Air Drive

Air supply requirement: 100 cfm @ 100 psi
(2.8 m³/min @ 6.9 bar)

Hydraulic Drive

HPU requirement: 10-15 gpm @ 1000 psi
(38-57 lpm @ 69 bar) continuous pressure
Hydraulic motor includes hose whips and quick-disconnects

Weights (includes tool blocks and motor)

Operating Weights

804LC Air Drive: 63 lbs. (29 kg)
804LC Hydraulic Drive: 67 lbs. (30 kg)

Shipping Weights

804LC Air Drive: 152 lbs. (69 kg)
804LC Hydraulic Drive: 143 lbs. (65 kg)

Options

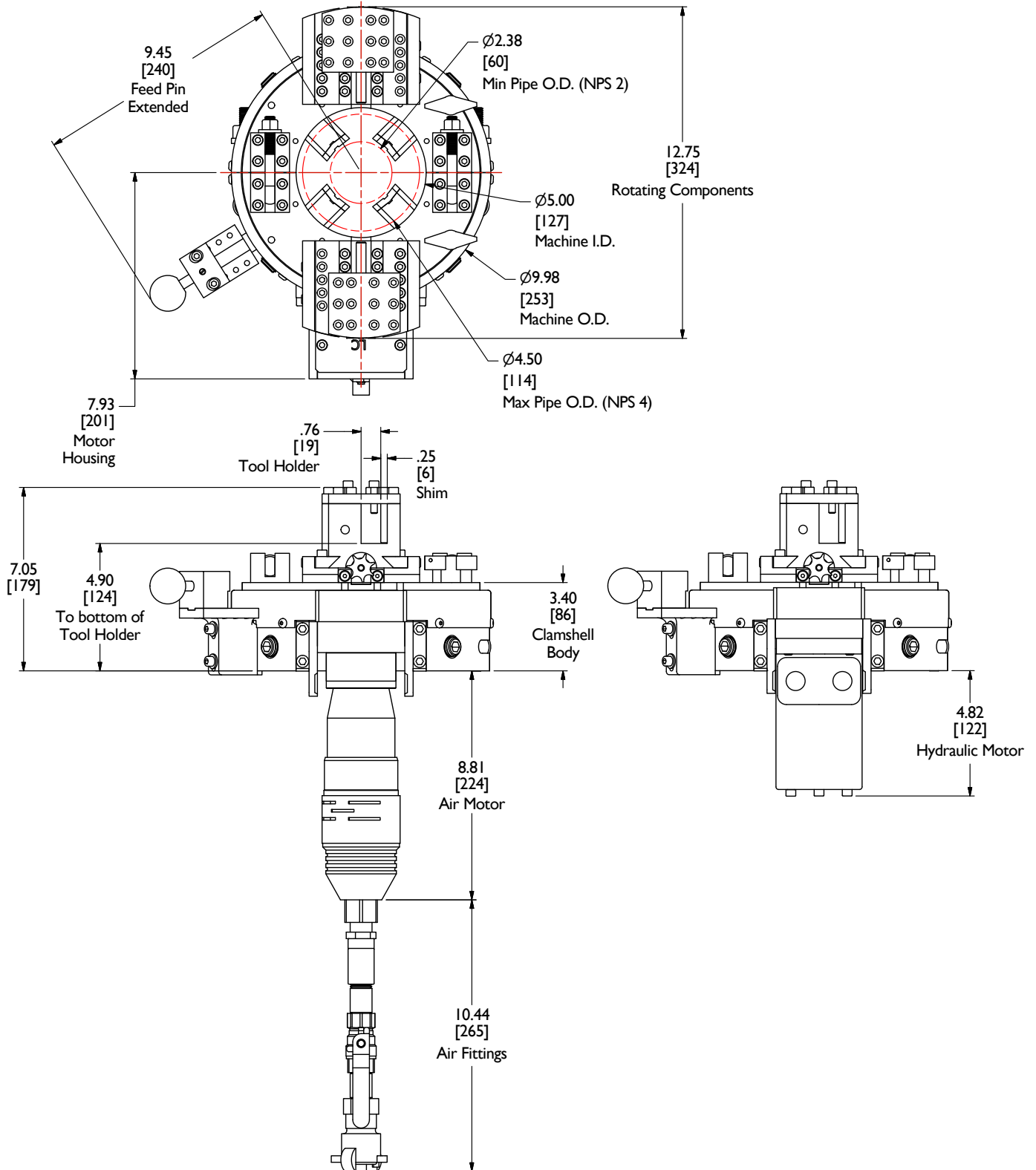
- Full line of tool bits
- Right angle and reversible drives
- Single Point machining attachment
- Axial Feed machining attachment
- Counterbore/Facing attachment
- Hydraulic Power Unit



Mactech, Inc. • 4079 Pepin Ave. • Red Wing, MN 55066
PH: 651-388-7117 • TOLL FREE: 800-328-1488 • FAX: 651-388-0337
www.mactechonsite.com

804LC CLAMSHELL LATHE

MACTECH PORTABLE MACHINING SOLUTIONS



Mactech, Inc. • 4079 Pepin Ave. • Red Wing, MN 55066
 PH: 651-388-7117 • TOLL FREE: 800-328-1488 • FAX: 651-388-0337
www.mactechonsite.com