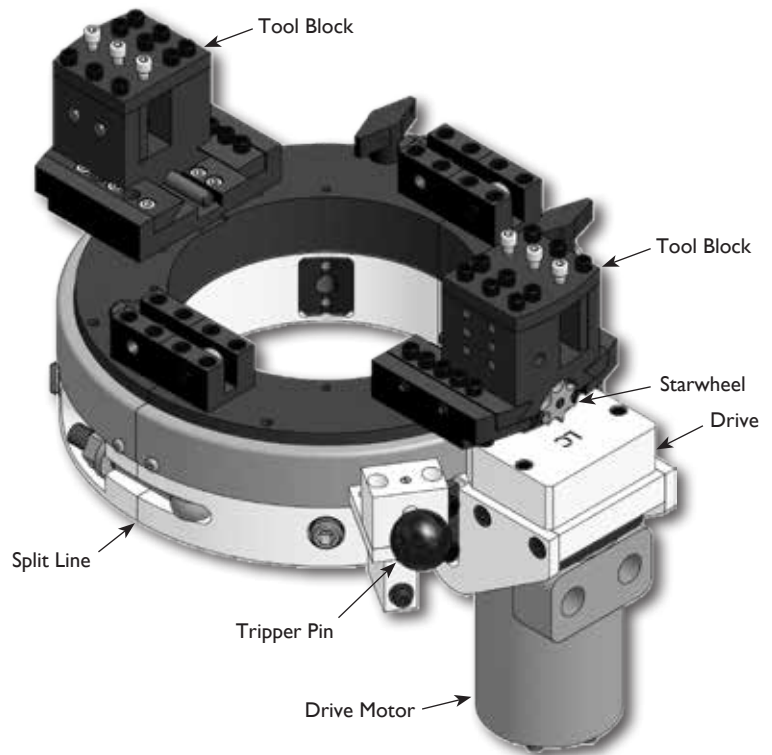


# 806LC CLAMSHELL LATHE

MACTECH PORTABLE MACHINING SOLUTIONS

## Features

- Sever or simultaneous Sever/Bevel NPS 2 to NPS 6 schedule pipe.
- Cold cutting in hazardous environments.
- Exceptionally rigid, split-frame for precise on-site machining.
- Lightweight, low clearance design for easy handling in tight working spaces.
- Tool Holder accepts standard 3/4 or 1 inch tool bits.
- Air Caddy (air filter and oiler) included with air drive systems.
- Custom setups and drives available for your application.



## 806LC Nominal Pipe Size (NPS) Application Range

| Nominal Pipe Size (in.) | Schedule No. | Wall Thickness (in.) | Inside Diameter (in.) | Nominal Pipe Size (in.) | Schedule No. | Wall Thickness (in.) | Inside Diameter (in.) |
|-------------------------|--------------|----------------------|-----------------------|-------------------------|--------------|----------------------|-----------------------|
| 2<br>(2.375)            | 5S           | 0.065                | 2.245                 | 4<br>(4.500)            | 5S           | 0.083                | 4.334                 |
|                         | 10S          | 0.109                | 2.157                 |                         | 10S          | 0.120                | 4.260                 |
|                         | 40ST, 40S    | 0.154                | 2.067                 |                         | 40ST, 40S    | 0.237                | 4.026                 |
|                         | 80XS, 80S    | 0.218                | 1.939                 |                         | 80XS, 80S    | 0.337                | 3.826                 |
|                         | 160          | 0.344                | 1.687                 |                         | 120          | 0.438                | 3.624                 |
| XX                      | 0.436        | 1.503                | 160                   | 0.531                   | 3.438        |                      |                       |
| 2 1/2<br>(2.875)        | 5S           | 0.083                | 2.709                 | 5<br>(5.563)            | 5S           | 0.109                | 5.345                 |
|                         | 10S          | 0.120                | 2.635                 |                         | 10S          | 0.134                | 5.295                 |
|                         | 40ST, 40S    | 0.203                | 2.469                 |                         | 40ST, 40S    | 0.258                | 5.047                 |
|                         | 80XS, 80S    | 0.276                | 2.323                 |                         | 80XS, 80S    | 0.375                | 4.813                 |
|                         | 160          | 0.375                | 2.125                 |                         | 120          | 0.500                | 4.563                 |
| XX                      | 0.552        | 1.771                | 160                   | 0.625                   | 4.313        |                      |                       |
| 3<br>(3.500)            | 5S           | 0.083                | 3.334                 | 6<br>(6.625)            | 5S           | 0.109                | 6.407                 |
|                         | 10S          | 0.120                | 3.260                 |                         | 10S          | 0.134                | 6.357                 |
|                         | 40ST, 40S    | 0.216                | 3.068                 |                         | 40ST, 40S    | 0.280                | 6.065                 |
|                         | 80XS, 80S    | 0.300                | 2.900                 |                         | 80XS, 80S    | 0.432                | 5.761                 |
|                         | 160          | 0.438                | 2.624                 |                         | 120          | 0.562                | 5.501                 |
| XX                      | 0.600        | 2.300                | 160                   | 0.719                   | 5.187        |                      |                       |
| 3 1/2<br>(4.000)        | 5S           | 0.083                | 3.834                 | XX                      | 0.864        | 4.897                |                       |
|                         | 10S          | 0.120                | 3.760                 |                         |              |                      |                       |
|                         | 40ST, 40S    | 0.226                | 3.548                 |                         |              |                      |                       |
|                         | 80XS, 80S    | 0.318                | 3.364                 |                         |              |                      |                       |

## 806LC Clamshell Lathe

### Application Range

2.38 to 6.63 inch (60 to 168 mm) diameter pipe, NPS 2 to 6

### Feed

Feed Mechanism: 7 point starwheel and tripper  
Feed Rate: .004 inch (0.09 mm) per revolution

### Drives

#### Air Drive

Air supply requirement: 100 cfm @ 100 psi  
(2.8 m<sup>3</sup>/min @ 6.9 bar)

#### Hydraulic Drive

HPU requirement: 10-15 gpm @ 1000 psi  
(38-57 lpm @ 69 bar) continuous pressure  
Hydraulic motor includes hose whips and quick-disconnects

### Weights (includes tool blocks and motor)

#### Operating Weights

806LC Air Drive: 71 lbs. (32 kg)  
806LC Hydraulic Drive: 75 lbs. (34 kg)

#### Shipping Weights

806LC Air Drive: 160 lbs. (73 kg)  
806LC Hydraulic Drive: 151 lbs. (68 kg)

## Options

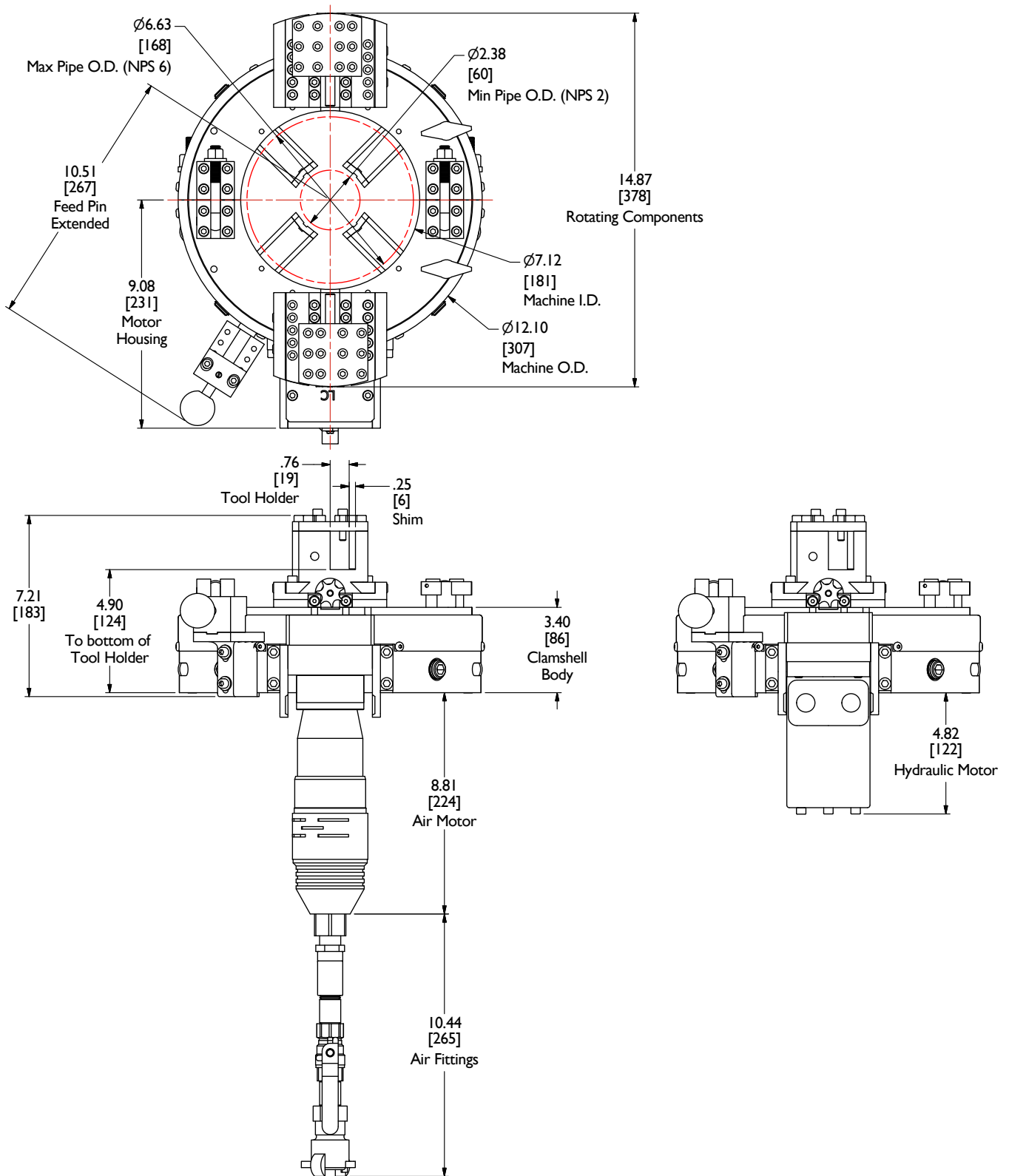
- Full line of tool bits
- Right angle and reversible drives
- Single Point machining attachment
- Axial Feed machining attachment
- Counterbore/Facing attachment
- Hydraulic Power Unit

**MACTECH**  
ON-SITE MACHINING SOLUTIONS

Mactech, Inc. • 4079 Pepin Ave. • Red Wing, MN 55066  
PH: 651-388-7117 • TOLL FREE: 800-328-1488 • FAX: 651-388-0337  
[www.mactechonsite.com](http://www.mactechonsite.com)

# 806LC CLAMSHELL LATHE

MACTECH PORTABLE MACHINING SOLUTIONS



Mactech, Inc. • 4079 Pepin Ave. • Red Wing, MN 55066  
 PH: 651-388-7117 • TOLL FREE: 800-328-1488 • FAX: 651-388-0337  
[www.mactechonsite.com](http://www.mactechonsite.com)