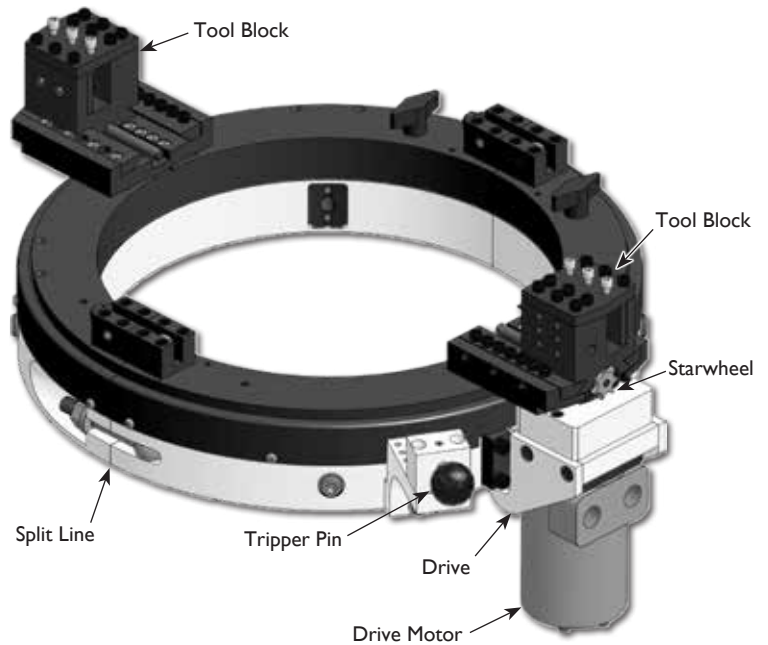


814LC CLAMSHELL LATHE

MACTECH PORTABLE MACHINING SOLUTIONS

Features

- Sever or simultaneous Sever/Bevel NPS 8 to NPS 14 schedule pipe.
- Cold cutting in hazardous environments.
- Exceptionally rigid, split-frame for precise on-site machining.
- Lightweight, low clearance design for easy handling in tight working spaces.
- Tool Holder accepts standard 3/4 or 1 inch tool bits.
- Air Caddy (air filter and oiler) included with air drive systems.
- Custom setups and drives available for your application.



Mactech 814LC Clamshell Lathe

814LC Nominal Pipe Size (NPS) Application Range

Nominal Pipe Size (in.)	Schedule No.	Wall Thickness (in.)	Inside Diameter (in.)	Nominal Pipe Size (in.)	Schedule No.	Wall Thickness (in.)	Inside Diameter (in.)
8 (8.625)	5S	0.109	8.407	12 (12.750)	5S	0.156	12.438
	10S	0.148	8.329		10S	0.180	12.390
	20	0.250	8.125		20	0.250	12.250
	30	0.277	8.071		30	0.330	12.090
	40ST, 40S	0.322	7.981		ST, 40S	0.375	12.000
	60	0.406	7.813		40	0.406	11.938
	80XS, 80S	0.500	7.625		XS, 80S	0.500	11.750
	100	0.594	7.437		60	0.562	11.626
	120	0.719	7.187		80	0.688	11.374
	140	0.812	7.001		100	0.844	11.062
	XX	0.875	6.875		120, XX	1.000	10.750
160	0.906	6.813	140	1.125	10.500		
10 (10.750)	5S	0.134	10.482	14 (14.000)	5S	0.156	13.688
	10S	0.165	10.420		10S	0.188	13.624
	20	0.250	10.250		10	0.250	13.500
	30	0.307	10.136		20	0.312	13.376
	40ST, 40S	0.365	10.020		30, ST	0.375	13.250
	60XS, 80S	0.500	9.750		40	0.438	13.124
	80	0.594	9.562		XS	0.500	13.000
	100	0.719	9.312		60	0.594	12.812
	120	0.844	9.062		80	0.750	12.500
	140, XX	1.000	8.750		100	0.938	12.124
	160	1.125	8.500		120	1.094	11.812
			140	1.250	11.500		
			160	1.406	11.188		

Application Range

8.63 to 14.00 inch (219 to 356 mm) diameter pipe, NPS 8 to 14

Feed

Feed Mechanism: 7 point starwheel and tripper
Feed Rate: .004 inch (0.09 mm) per revolution

Drives

Air Drive

Air supply requirement: 100 cfm @ 100 psi
(2.8 m³/min @ 6.9 bar)

Hydraulic Drive

HPU requirement: 10-15 gpm @ 1000 psi
(38-57 lpm @ 69 bar) continuous pressure
Hydraulic motor includes hose whips and quick-disconnects

Weights (includes tool blocks and motor)

Operating Weights

814LC Air Drive: 100 lbs. (45 kg)

814LC Hydraulic Drive: 104 lbs. (47 kg)

Shipping Weights

814LC Air Drive: 189 lbs. (86 kg)

814LC Hydraulic Drive: 180 lbs. (82 kg)

Options

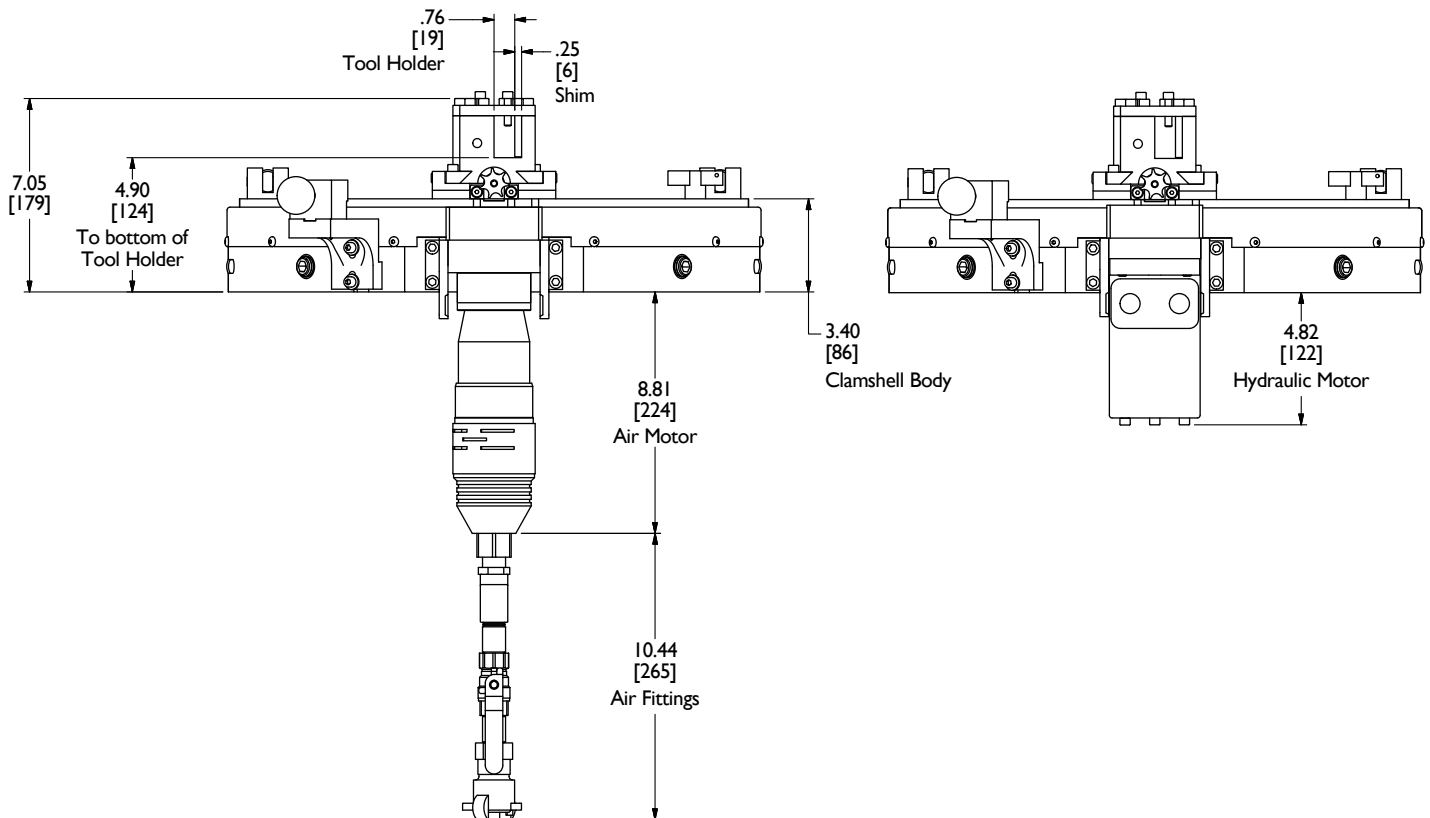
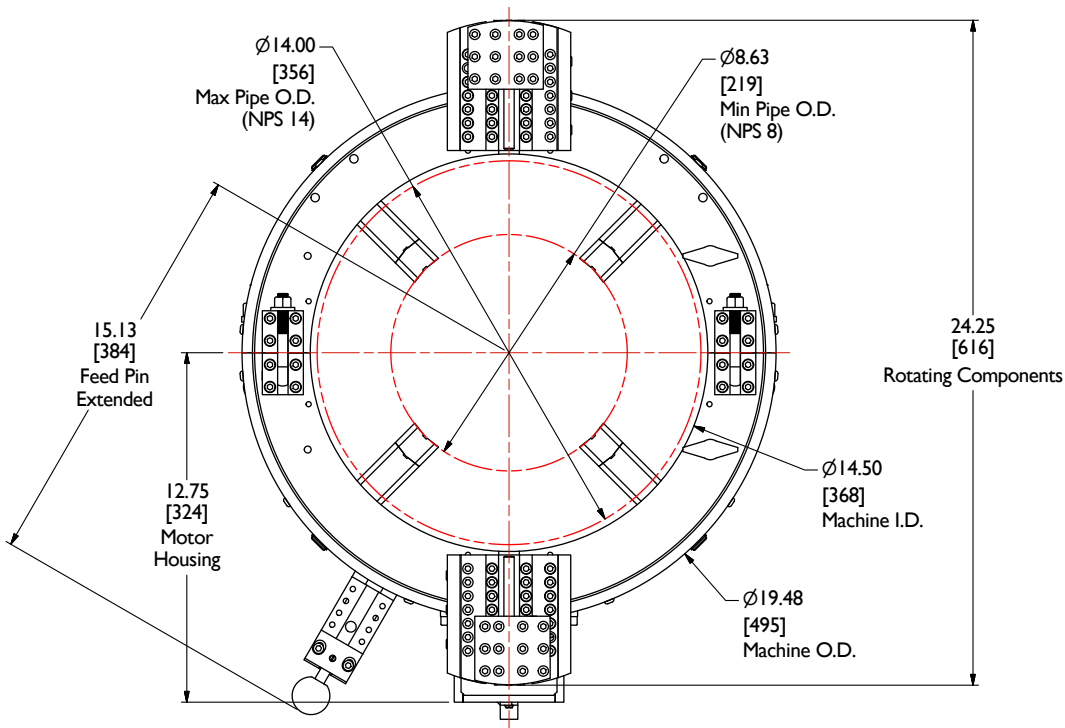
- Full line of tool bits
- Right angle and reversible drives
- Single Point machining attachment
- Axial Feed machining attachment
- Counterbore/Facing attachment
- Hydraulic Power Unit



Mactech, Inc. • 4079 Pepin Ave. • Red Wing, MN 55066
PH: 651-388-7117 • TOLL FREE: 800-328-1488 • FAX: 651-388-0337
www.mactechonsite.com

814LC CLAMSHELL LATHE

MACTECH PORTABLE MACHINING SOLUTIONS



Mactech, Inc. • 4079 Pepin Ave. • Red Wing, MN 55066
 PH: 651-388-7117 • TOLL FREE: 800-328-1488 • FAX: 651-388-0337
www.mactechonsite.com