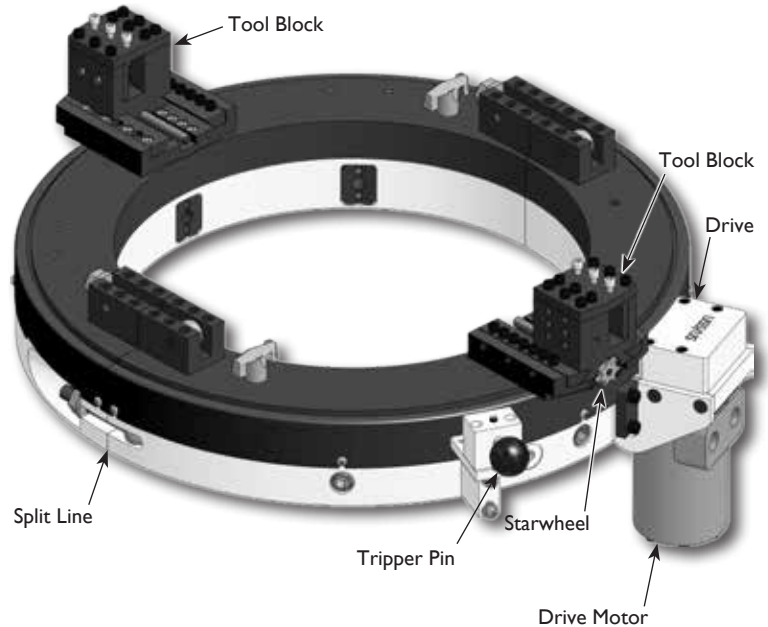


816USS CLAMSHELL LATHE

MACTECH PORTABLE MACHINING SOLUTIONS

Features

- Sever or simultaneous Sever/Bevel NPS 10 to NPS 16 schedule pipe.
- Cold cutting in hazardous environments.
- Exceptionally rigid, split-frame for precise on-site machining.
- Lightweight, low clearance design for easy handling in tight working spaces.
- Tool Holder accepts standard 3/4 or 1 inch tool bits.
- Air Caddy (air filter and oiler) included with air drive systems.
- Custom setups and drives available for your application.



Mactech 816USS Clamshell Lathe

816USS Nominal Pipe Size (NPS) Application Range

Nominal Pipe Size (in.)	Schedule No.	Wall Thickness (in.)	Inside Diameter (in.)	Nominal Pipe Size (in.)	Schedule No.	Wall Thickness (in.)	Inside Diameter (in.)
10 (10.750)	5S	0.134	10.482	14 (14.000)	5S	0.156	13.688
	10S	0.165	10.420		10S	0.188	13.624
	20	0.250	10.250		10	0.250	13.500
	30	0.307	10.136		20	0.312	13.376
	40ST, 40S	0.365	10.020		30, ST	0.375	13.250
	60XS, 80S	0.500	9.750		40	0.438	13.124
	80	0.594	9.562		XS	0.500	13.000
	100	0.719	9.312		60	0.594	12.812
	120	0.844	9.062		80	0.750	12.500
	140, XX	1.000	8.750		100	0.938	12.124
160	1.125	8.500	120	1.094	11.812		
12 (12.750)	5S	0.156	12.438	140	1.250	11.500	
	10S	0.180	12.390	160	1.406	11.188	
	20	0.250	12.250	5S	0.169	15.670	
	30	0.330	12.090	10S	0.188	15.624	
	ST, 40S	0.375	12.000	10	0.250	15.500	
	40	0.406	11.938	20	0.312	15.376	
	XS, 80S	0.500	11.750	30, ST	0.375	15.250	
	60	0.562	11.626	40, XS	0.500	15.000	
	80	0.688	11.374	60	0.656	14.688	
	100	0.844	11.062	80	0.844	14.312	
120, XX	1.000	10.750	100	1.031	13.938		
140	1.125	10.500	120	1.219	13.562		
160	1.312	10.126	140	1.438	13.124		
			160	1.594	12.812		

Application Range

10.75 to 16.00 inch (273 to 406 mm) diameter pipe, NPS 10 to 16

Feed

Feed Mechanism: 7 point starwheel and tripper
Feed Rate: .004 inch (0.09 mm) per revolution

Drives

Air Drive

Air supply requirement: 100 cfm @ 100 psi (2.8 m³/min @ 6.9 bar)

Hydraulic Drive

HPU requirement: 10-15 gpm @ 1000 psi (38-57 lpm @ 69 bar) continuous pressure
Hydraulic motor includes hose whips and quick-disconnects

Weights (includes tool blocks and motor)

Operating Weights

816USS Air Drive: 161 lbs. (73 kg)

816USS Hydraulic Drive: 162 lbs. (73 kg)

Shipping Weights

816USS Air Drive: 289 lbs. (131 kg)

816USS Hydraulic Drive: 277 lbs. (126 kg)

Options

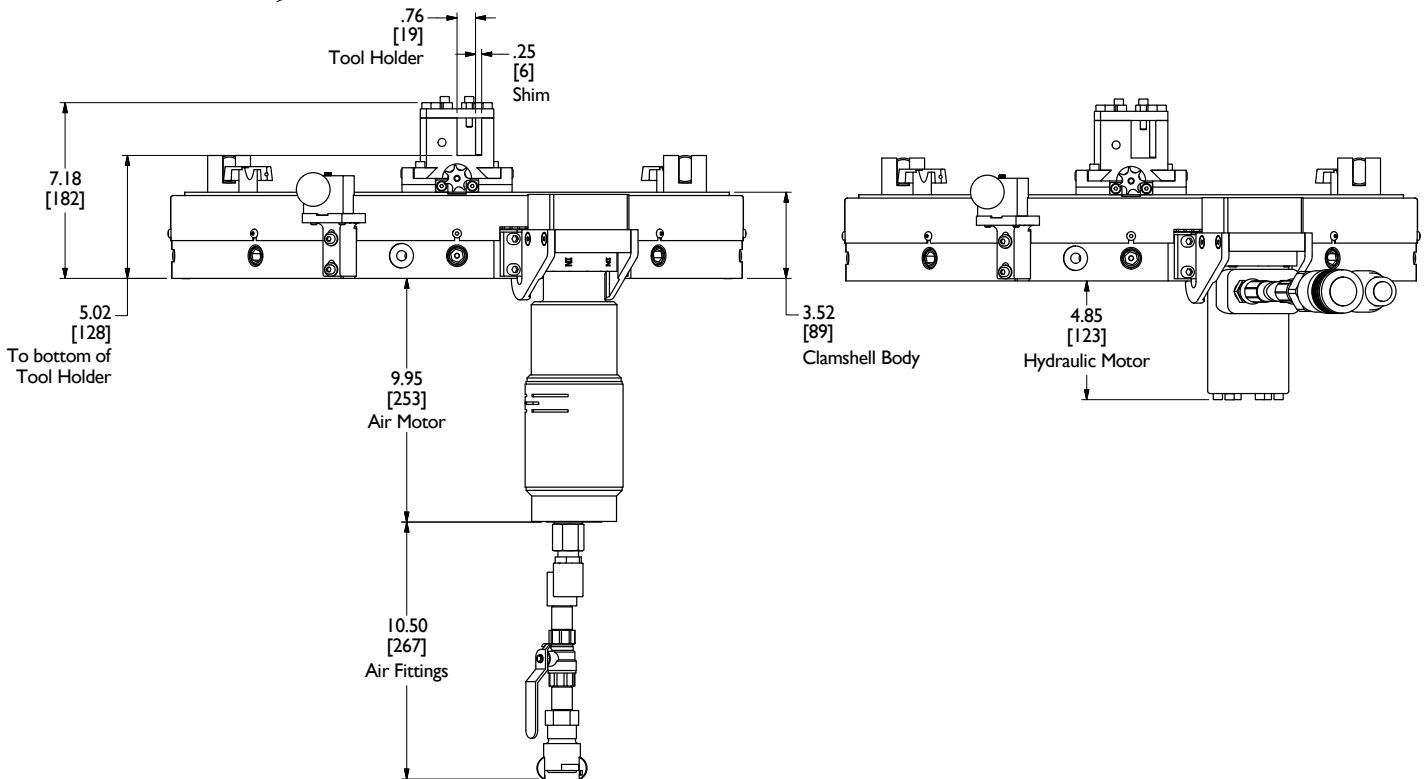
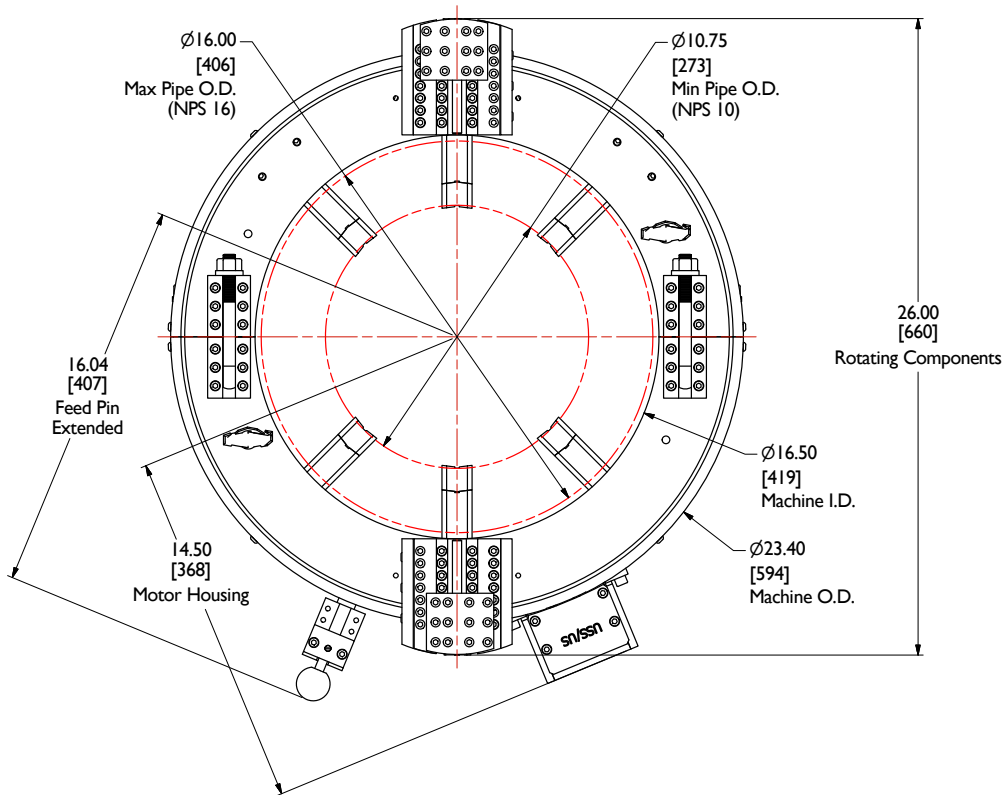
- Full line of tool bits
- Right angle and reversible drives
- Single Point machining attachment
- Axial Feed machining attachment
- Counterbore/Facing attachment
- Hydraulic Power Unit



Mactech, Inc. • 4079 Pepin Ave. • Red Wing, MN 55066
PH: 651-388-7117 • TOLL FREE: 800-328-1488 • FAX: 651-388-0337
www.mactechonsite.com

816USS CLAMSHELL LATHE

MACTECH PORTABLE MACHINING SOLUTIONS



Mactech, Inc. • 4079 Pepin Ave. • Red Wing, MN 55066
 PH: 651-388-7117 • TOLL FREE: 800-328-1488 • FAX: 651-388-0337
www.mactechonsite.com