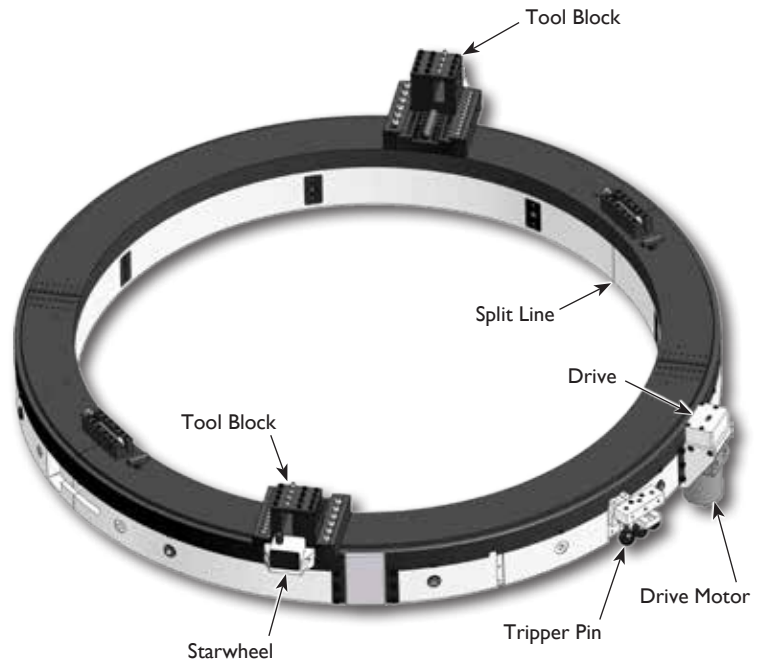


# 848WD CLAMSHELL LATHE

MACTECH PORTABLE MACHINING SOLUTIONS

## Features

- Sever or simultaneous Sever/Bevel 36 to 48 inch diameter pipe, or NPS 36 to NPS 48 schedule pipe.
- Cold cutting in hazardous environments.
- Exceptionally rigid, split-frame for precise on-site machining.
- Lightweight, low clearance design for easy handling in tight working spaces.
- Tool Holder accepts standard 3/4 or 1 inch tool bits.
- Air Caddy (air filter and oiler) included with air drive systems.
- Custom setups and drives available for your application.



**Mactech 848WD Clamshell Lathe**

## 848WD Nominal Pipe Size (NPS) Application Range

Nominal Pipe Size (in.)	Schedule No.	Wall Thickness (in.)	Inside Diameter (in.)	Nominal Pipe Size (in.)	Schedule No.	Wall Thickness (in.)	Inside Diameter (in.)
36 (36.000)	10	0.312	35.375	48 (48.000)	ST, 40S	0.375	47.250
	ST, 40S	0.375	35.250		XS, 80S	0.500	47.000
42 (42.000)	ST, 40S	0.375	41.250				
	XS, 80S	0.500	41.000				
	30	0.625	40.750				
	40	0.750	40.500				

## Options

- Full line of tool bits
- Right angle and reversible drives
- Single Point machining attachment
- Axial Feed machining attachment
- Counterbore/Facing attachment
- Hydraulic Power Unit

## Application Range

36.00 to 48.00 inch (914 to 1219 mm) diameter pipe, or NPS 36 to 48 schedule pipe.

## Feed

Feed Mechanism: 4 point starwheel with 3-pin tripper feed.  
Feed Rate: .002, .004 or .006 inches per revolution (0.05, 0.11 or 0.16 mm).

## Drives

### Air Drive

Air supply requirement: 100 cfm @ 100 psi  
(2.8 m<sup>3</sup>/min @ 6.9 bar)

### Hydraulic Drive

HPU requirement: 10-15 gpm @ 1000 psi  
(38-57 lpm @ 69 bar) continuous pressure  
Hydraulic motor includes hose whips and quick-disconnects

## Weights (includes tool blocks and motor)

### Operating Weights

848WD Air Drive: 748 lbs. (339 kg)  
848WD Hydraulic Drive: 761 lbs. (345 kg)

### Shipping Weights

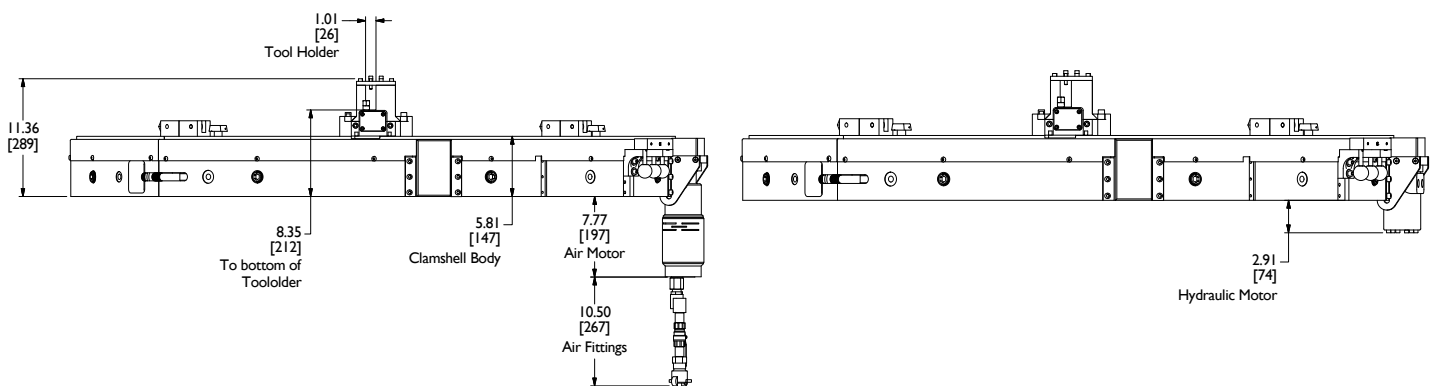
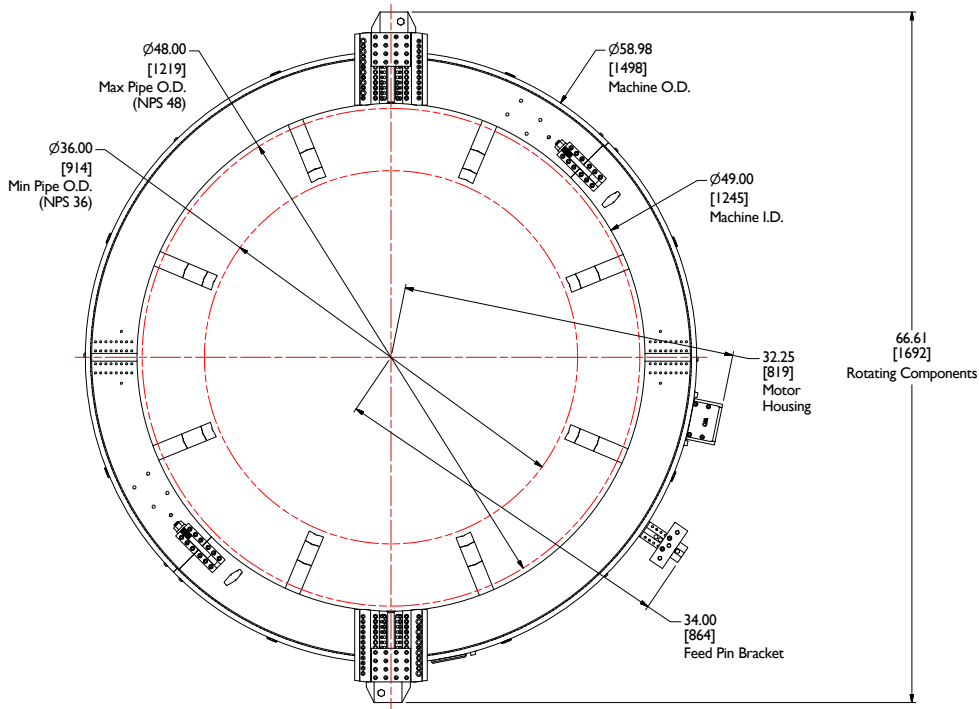
848WD Air Drive: 1200 lbs. (544 kg)  
848WD Hydraulic Drive: 1212 lbs. (550 kg)

**MACTECH**  
ON-SITE MACHINING SOLUTIONS

Mactech, Inc. • 4079 Pepin Ave. • Red Wing, MN 55066  
PH: 651-388-7117 • TOLL FREE: 800-328-1488 • FAX: 651-388-0337  
[www.mactechonsite.com](http://www.mactechonsite.com)

# 848WD CLAMSHELL LATHE

MACTECH PORTABLE MACHINING SOLUTIONS



Mactech, Inc. • 4079 Pepin Ave. • Red Wing, MN 55066  
 PH: 651-388-7117 • TOLL FREE: 800-328-1488 • FAX: 651-388-0337  
[www.mactechonsite.com](http://www.mactechonsite.com)