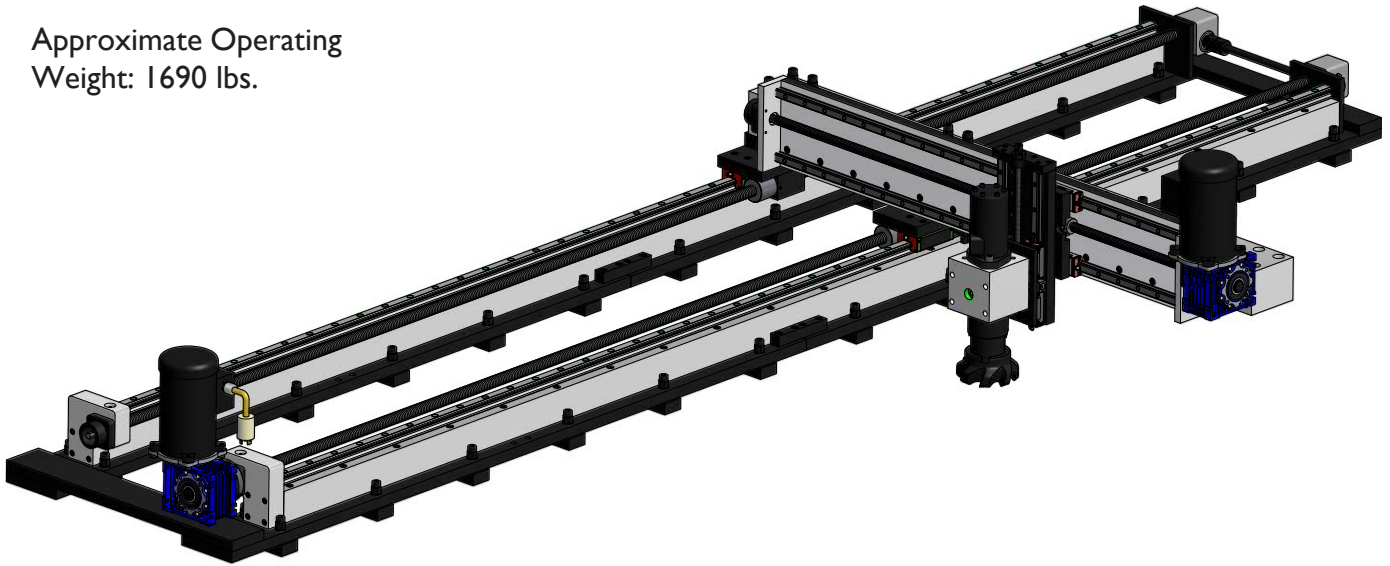


# GANTRY MILL, 1000 x 3000

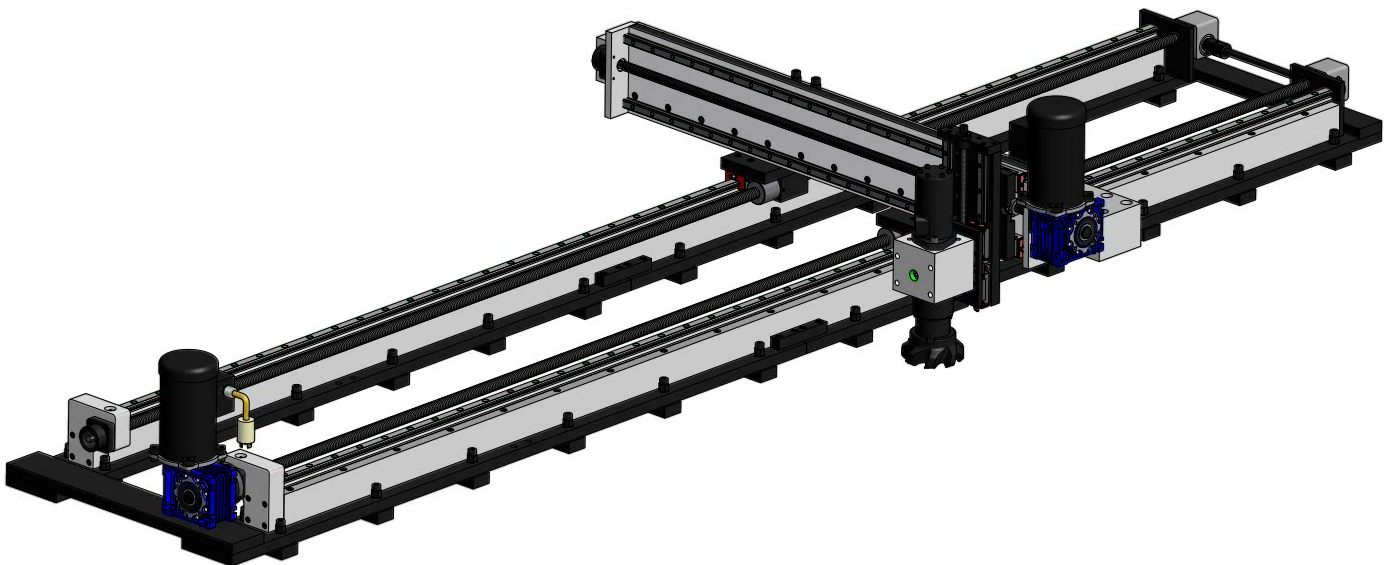
MACTECH PORTABLE MACHINING SOLUTIONS

## Alternate Configurations

Approximate Operating  
Weight: 1690 lbs.



*Side Mill Setup - Mill on one side*



*Dual Side Mill Setup - Mill on either side*



Mactech, Inc. • 4079 Pepin Ave. • Red Wing, MN 55066  
PH: 651-388-7117 • TOLL FREE: 800-328-1488 • FAX: 651-388-0337 • [www.mactechonsite.com](http://www.mactechonsite.com)