

# MBMC4 PORTABLE BORING SYSTEM

MACTECH PORTABLE MACHINING SOLUTIONS



*On-site rudder tube machining  
with MBMC4 Boring System  
positioned vertically*

## *The MBMC4 Portable Boring System comes complete with:*

- Selection of Boring Heads
- Boring Bar
- Gear Drive
- Drive Motor
- Spherical bearings
- Spider Bearings
- Split Set Collars
- Mounting Bridges
- Mounting Knees
- Hardware
- Optional Facing Arm



*MBMC4 in Shipping Crate  
with Components and Accessories*

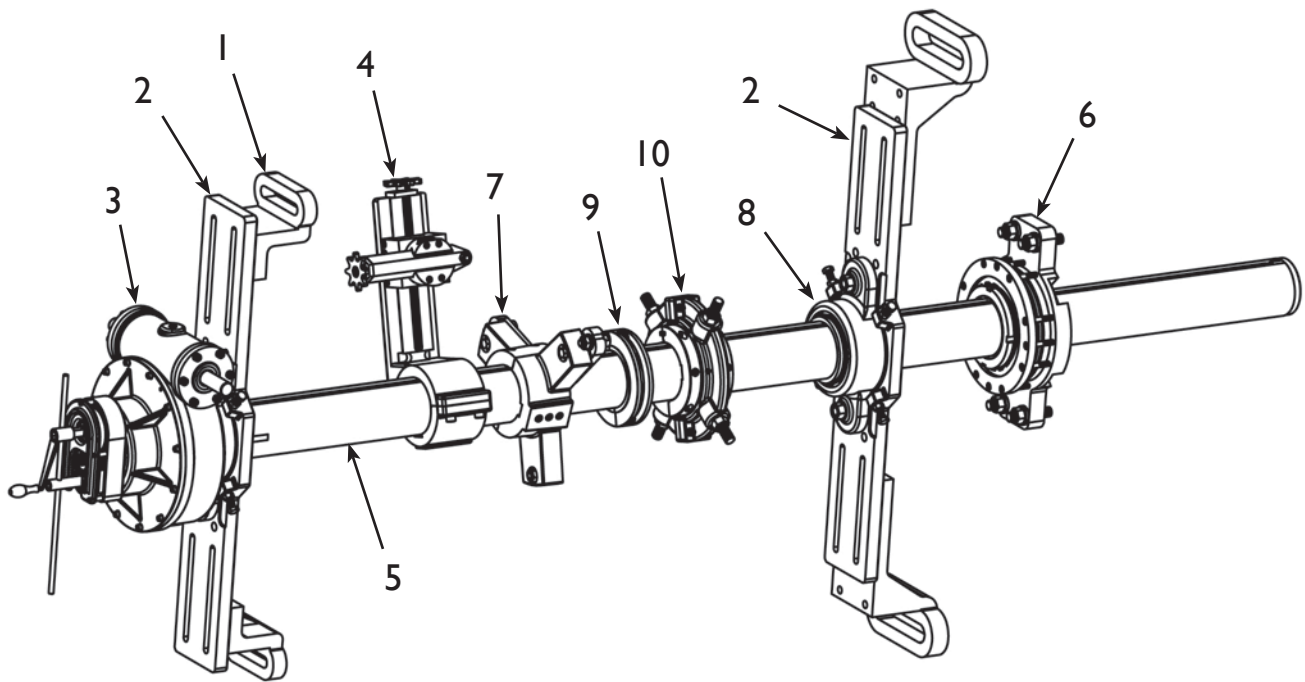
# MACTECH

ON-SITE MACHINING SOLUTIONS

Mactech, Inc. • 4079 Pepin Ave. • Red Wing, MN 55066  
PH: 651-388-7117 • TOLL FREE: 800-328-1488 • FAX: 651-388-0337 • [www.mactechonsite.com](http://www.mactechonsite.com)

# MBMC4 PORTABLE BORING SYSTEM

MACTECH PORTABLE MACHINING SOLUTIONS



Item	Part No.	Description	Qty
1	720-0432 ASSY	4 inch Mounting Knee	4
2	720-0431 ASSY	4 inch Mounting Bridge, 31.5 inches long	2
3	720-0450	4 inch Gear Drive	1
4	720-0452	4 inch Facing Arm Assembly, 12 inch	1
5	720-0460-120 ASSY	4 inch Boring Bar Assembly, 10 ft.	1
6	723-0401	4 inch Spherical Bearing Assembly	1
7	720-0454-20	4 inch x 20 inch Boring Head Assembly	1
8	720-0421	4 inch Tail Bearing	1
9	120-0105	4 inch Split Set Collar	1
10	720-0406	4 inch Split Spider Bearing Assembly	1

**MACTECH**  
ON-SITE MACHINING SOLUTIONS

Mactech, Inc. • 4079 Pepin Ave. • Red Wing, MN 55066  
PH: 651-388-7117 • TOLL FREE: 800-328-1488 • FAX: 651-388-0337 • [www.mactechonsite.com](http://www.mactechonsite.com)