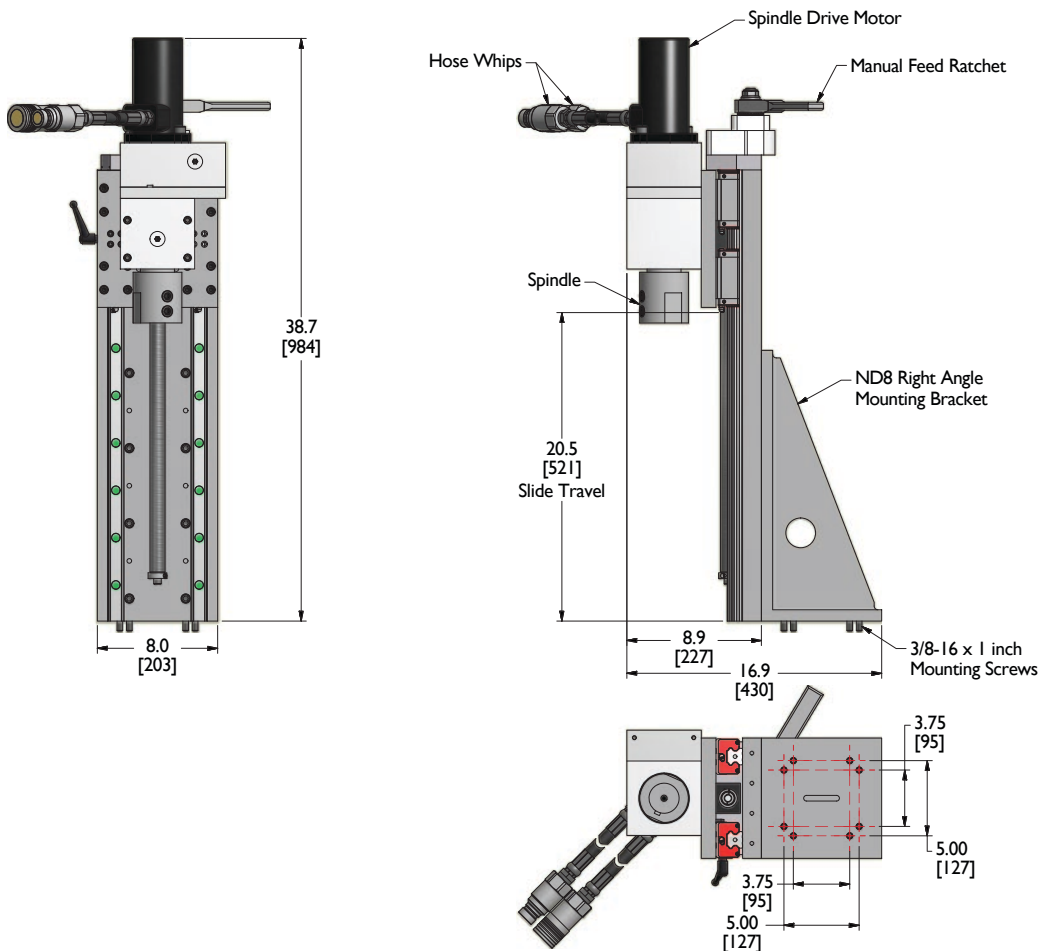


# MT8 x 30 BORING MILL

MACTECH PORTABLE MACHINING SOLUTIONS



**MT8 x 30 Boring Mill**

## Mactech MT8 x 30 Boring Mill

The adaptable design allows the Boring Mill to be used as a stand-alone vertical mill, or attach it to a Mactech Gantry Mill for increased application flexibility. An included right angle mounting bracket can be mounted directly to the workpiece or mill; or remove it so it can be mounted to a Gantry Mill, which adds full 3-axis machining capabilities.

### Specifications

**Slide:** MT8 Slide, manual ratchet feed, 0.10 inches (2.5 mm) per revolution.

**Tool Holder:** Straight quill accepts 2 inch (51 mm) diameter cutter. Other tool holder options are available.

**Spindle Drive:** Hydraulic motor, 4.5 hp (3.4 kW), 22.6 cu. in<sup>3</sup> (370 cm<sup>3</sup>).

**Performance Data:** 232-240 ft-lbs (315-325 Nm) torque, 58-99 rpm @ 6-10 gpm (23-38 lpm), 1000 psi (89 bar) hydraulic pressure.

### Features

- **Mount directly to the workpiece, or attach it to a Mactech Gantry Mill for 3-axis machining.**
- **Linear rails, precision feed screws and rigid construction ensure accurate machining.**
- **Powerful hydraulic motor for efficient cutting. Other motor options are available.**
- **Full range of quills, tool holders and cutters available.**



Mactech, Inc. • 4079 Pepin Ave. • Red Wing, MN 55066  
Phone: 651-388-7117 • Toll Free: 800-328-1488

[www.mactechonsite.com](http://www.mactechonsite.com)