

PEMS

MACTECH PORTABLE MACHINING SOLUTIONS

Pipe End Measurement System

Mactech's Pipe End Measurement System is a laser measurement tool designed to precisely measure the inside diameter, outside diameter and wall thickness of a pipe end. The tool is capable of single measurement at 1 or 4 inches from the pipe face, or simultaneous double measurement at 1 and 4 inches from the pipe face. The resulting data can be analyzed to determine if each end meets dimensional tolerances. The pipes can then be identified and sorted into an optimized pipeline fit up that minimizes ID, OD and wall thickness mismatches. The end matching software optimizes hi-lo mismatch on the ID and wall thickness, and presents the data in order, with rotation angle and resulting hi-lo mismatch.



PEMS Specifications

Maximum Outside Diameter	48 inches
Minimum Inside Diameter	6 inches
Maximum Wall Thickness	2 inches
Measurements Per Pipe	2000
Accuracy	+/- 0.002 inches
Repeatability	+/- 0.001 inches
Time Per End Measure	45 seconds
Power Source	110V, 50-60 Hz
Weight	30 lbs.

Features

- On-site calibration with calibration ring.
- Temperature compensation.
- Multiple software license options available.
- Exports data to Excel spreadsheet.
- Automated measurement.
- 1 inch and/or 4 inch measurement locations.
- User and date logging.
- Wireless communication to control computer.

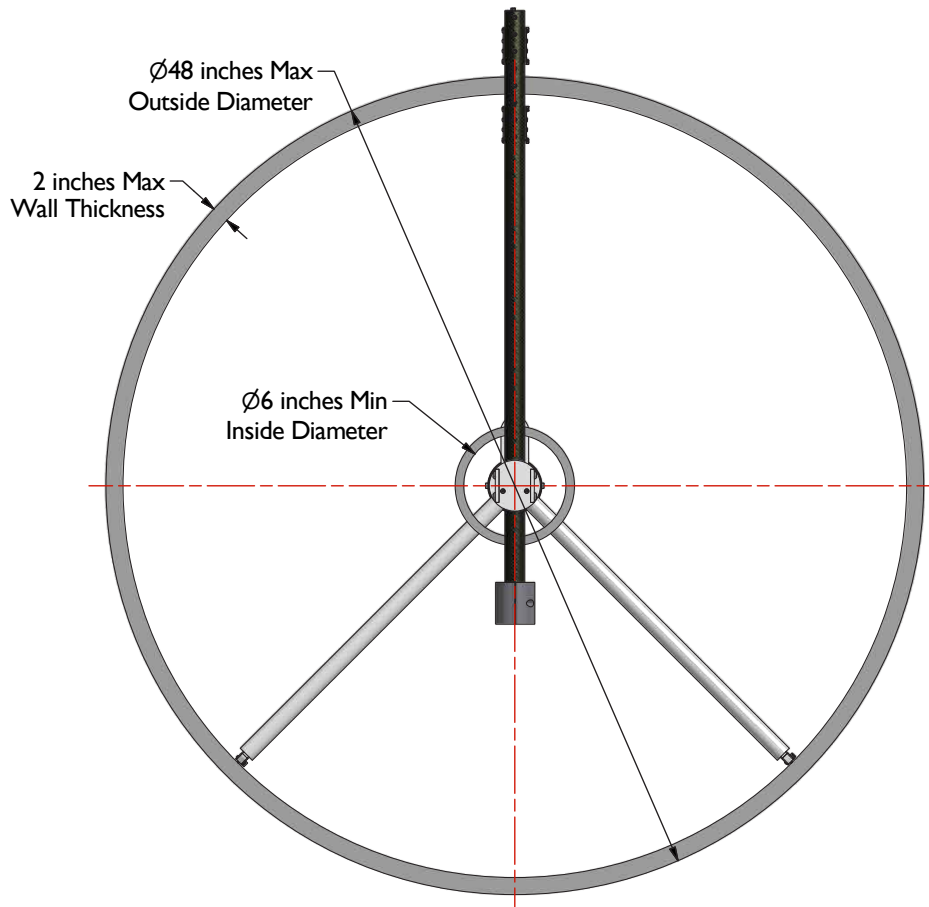
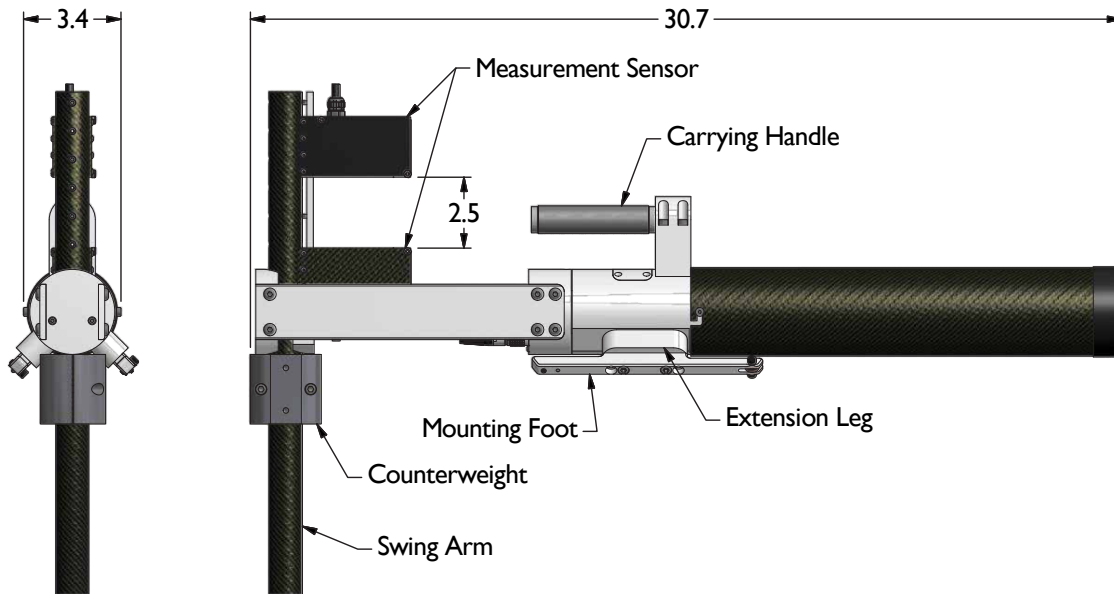


Mactech, Inc. • 4079 Pepin Ave. • Red Wing, MN 55066
PH: 651-388-7117 • TOLL FREE: 800-328-1488 • FAX: 651-388-0337

www.mactechonsite.com

PEMS

MACTECH PORTABLE MACHINING SOLUTIONS



MACTECH
ON-SITE MACHINING SOLUTIONS

Mactech, Inc. • 4079 Pepin Ave. • Red Wing, MN 55066
PH: 651-388-7117 • TOLL FREE: 800-328-1488 • FAX: 651-388-0337
www.mactechonsite.com